



PRIMUS



ÉTHOS300P

ÉTHOS300P | SETUP

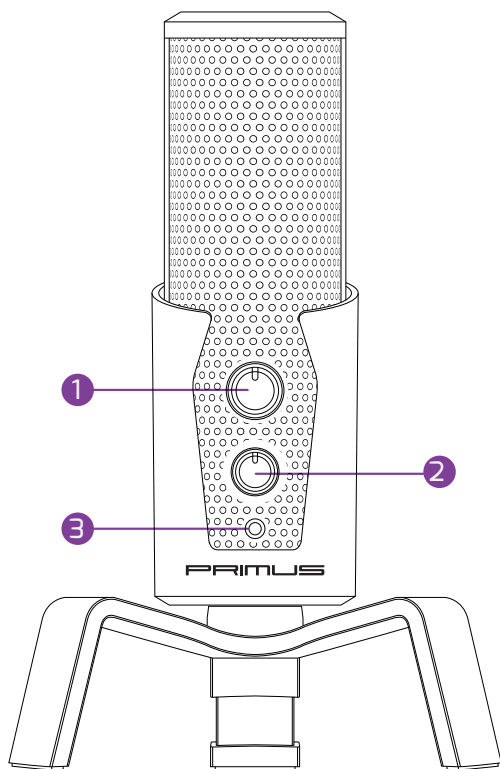
STANDALONE, AUDIO RECORDING MULTI POLAR PATTERN
GAMING MICROPHONE



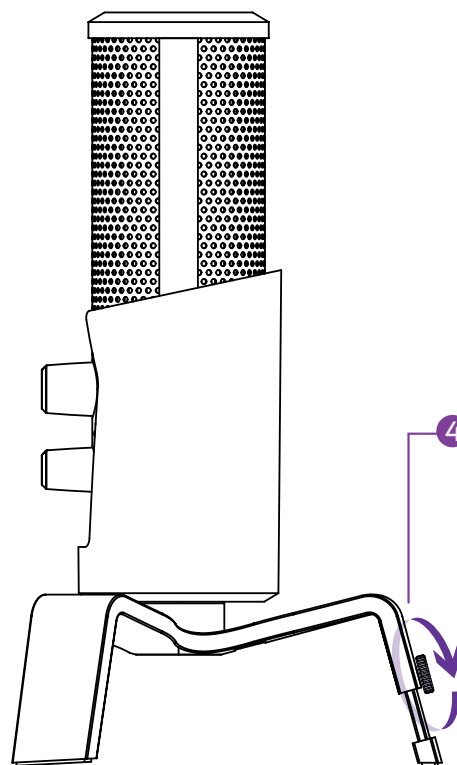
PRIMUS

I. PRODUCT LAYOUT

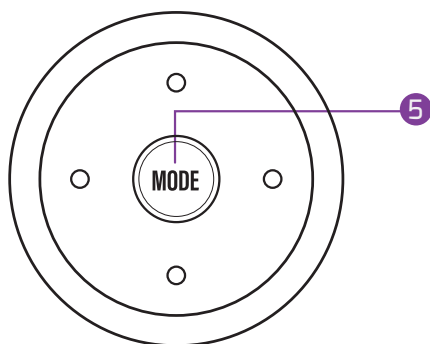
FRONT VIEW



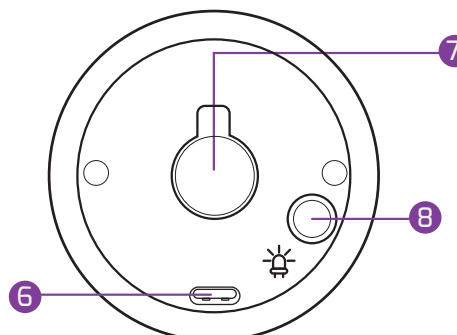
SIDE VIEW



TOP VIEW



BOTTOM VIEW



1. Dual-function knob - Microphone gain and mute functions (for mute just press the button)
2. HEADPHONE'S volume control knob
3. 3.5mm female headphone connector
4. Tilt adjustment with locking knob
5. Mode button for 4-polar pattern selection
6. USB Type-C port
7. Socket for metal stand assembly
8. Dual-function button: controls the illumination modes or switches the LED lights on and off (to enable the eco mode)



PRIMUS

II. INITIAL SETUP

Compatible with:

- Windows XP, Vista, 7, 8, 10, Mac OS X and Linux
- All versions of MacBook

How to assemble and connect the microphone to your PC

1. First, attach the metal stand to the microphone's main body by fastening the screw (clockwise) into the socket until is secured in place. (Fig. 1)
2. Next, insert one end of the USB Type-C supplied cable into the microphone's USB port (Fig. 1)
3. Adjust the tilt angle in one of the legs to better suit your preferences. (Fig. 2)

Figure 1

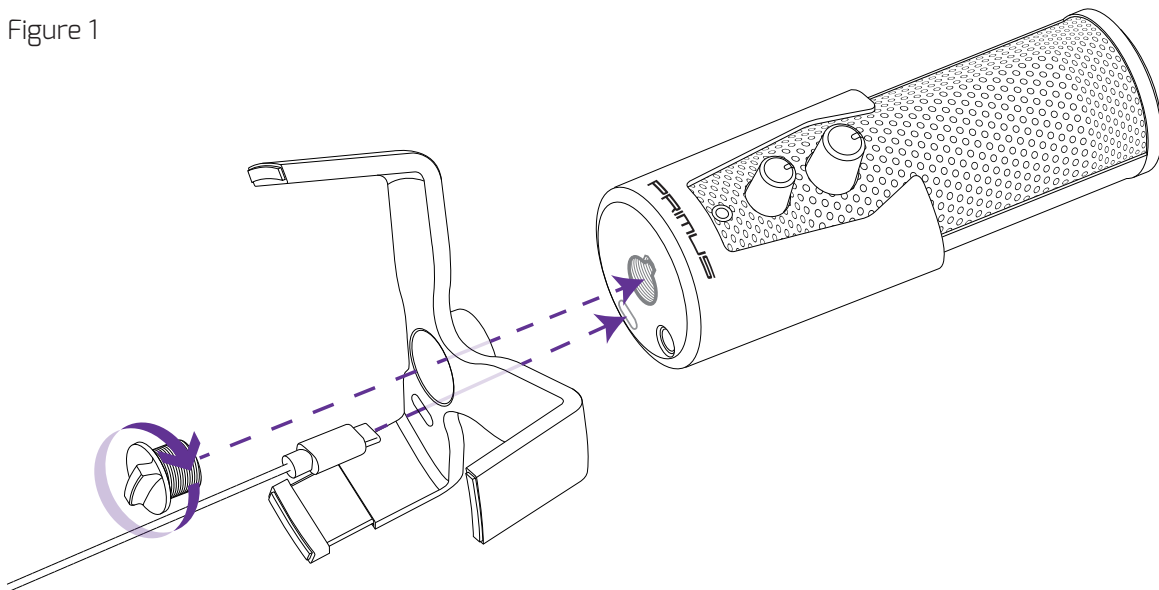
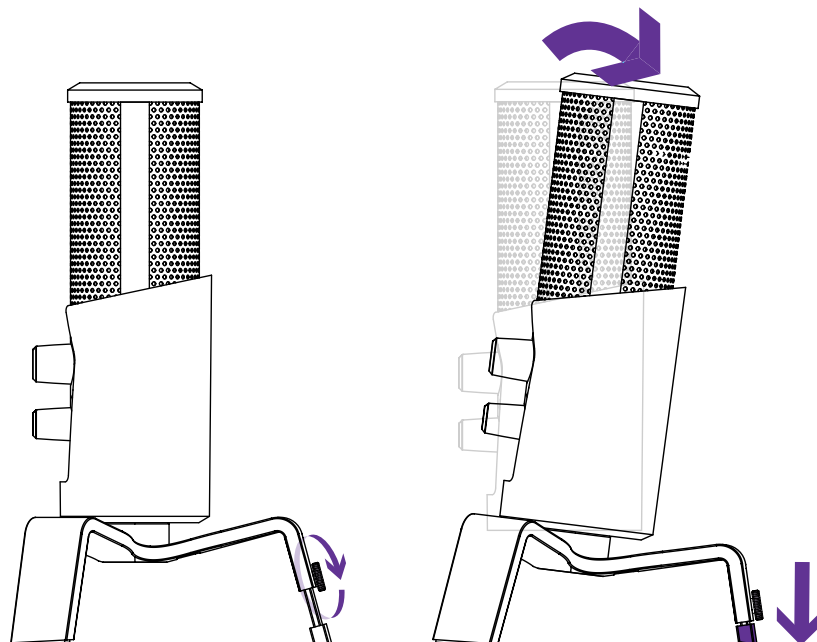


Figure 2





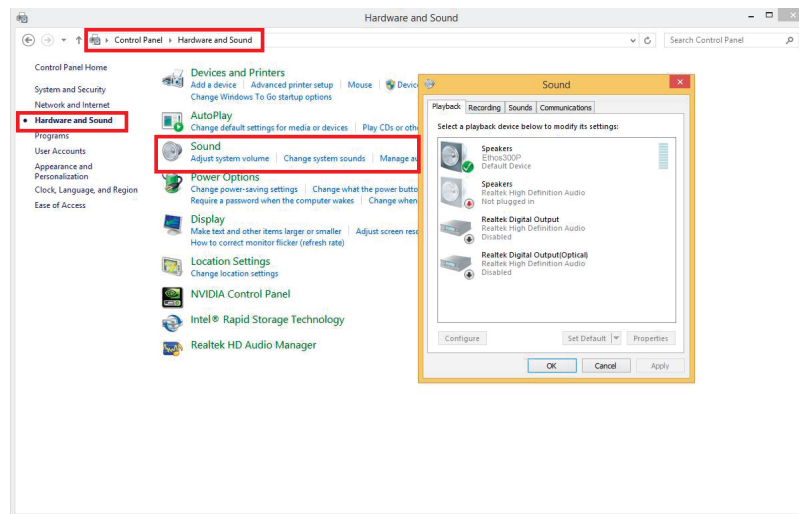
PRIMUS

III. ADVANCED SETTINGS

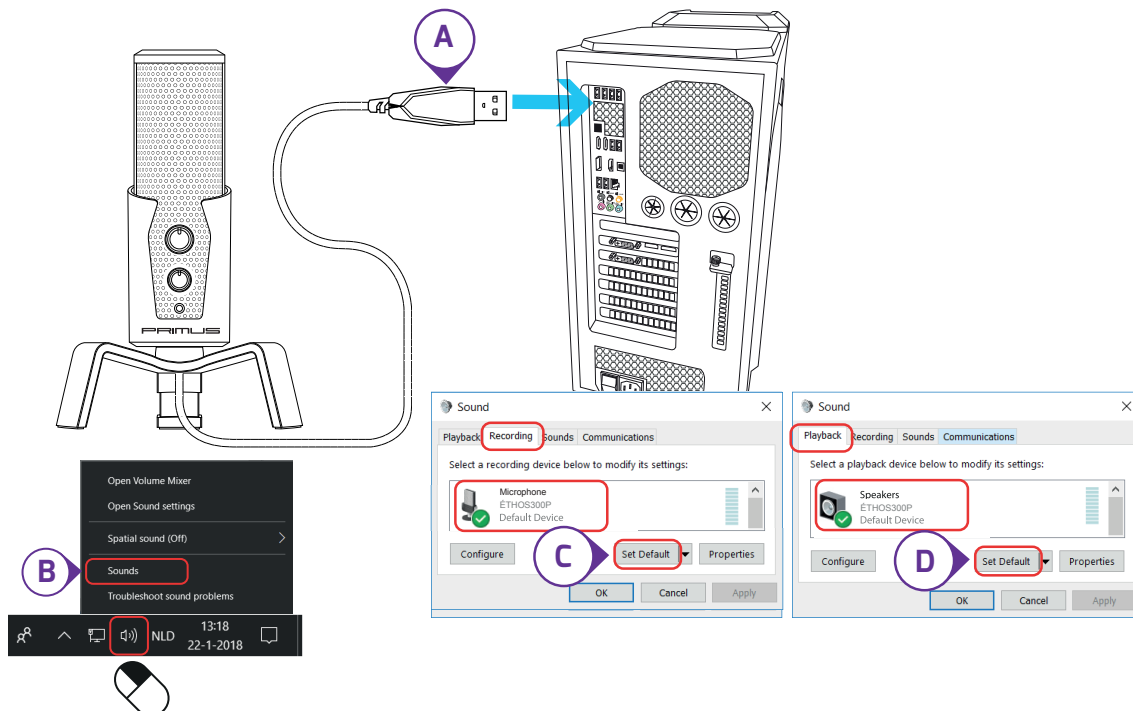
3.1. How to set up the microphone in your computer, and the playback and recording functions

1. Insert the USB cable from the microphone into the computer's USB port.
2. Once the connection is established, configure the microphone to your computer's audio settings. Go to your computer's **Control panel**, followed by **Hardware and Sound**, click **Sound**, and then select the **Playback** tab to set the microphone **PMI-301** as your default device*. Repeat these steps to set up the **recording** option for the **PMI-301** as your default device.

* Only if you want to use the headphone port on the microphone as your default device.



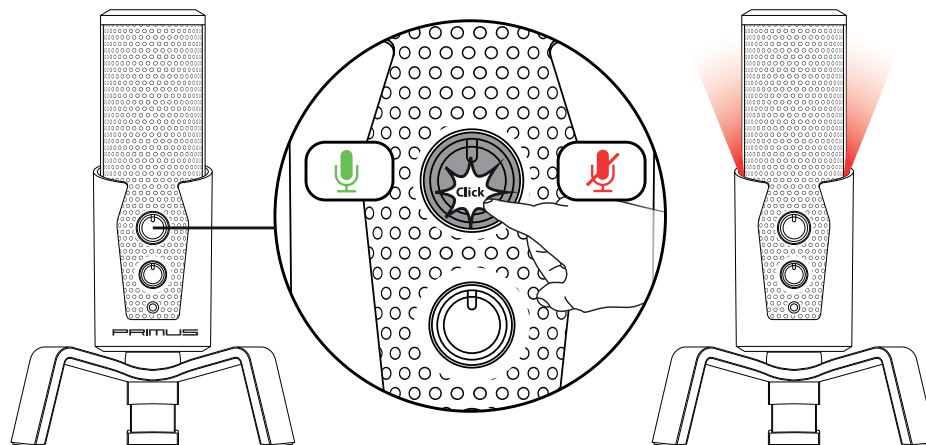
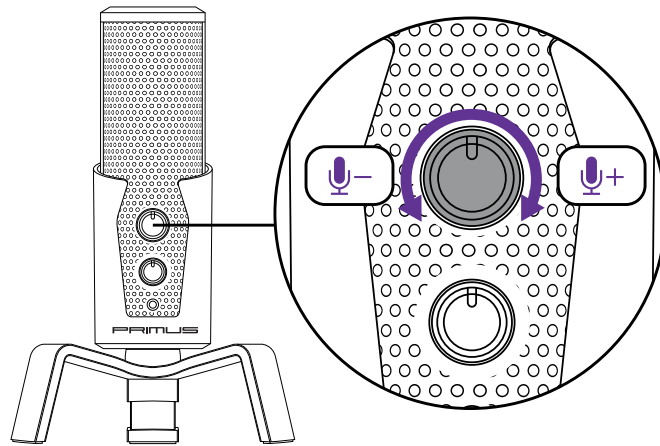
3. **Note:** For faster configuration, refer to the image below.



3.2. How to adjust the gain level of the the microphone

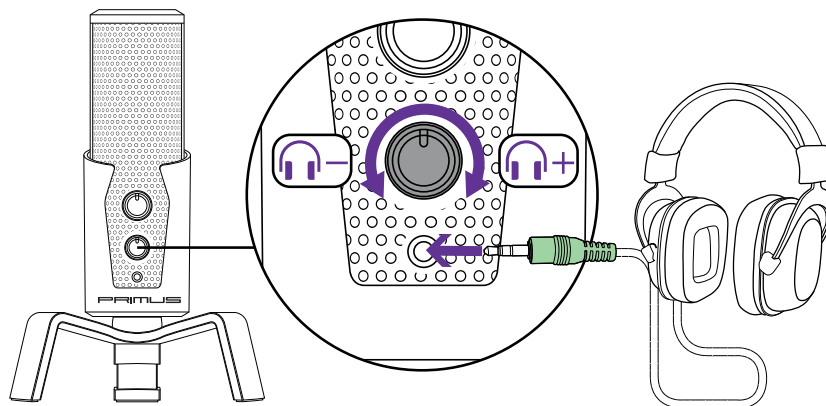
1. Use the dual-function knob (at the top) to adjust the microphone gain or mute/unmute it completely.
 - a. Turn the knob clockwise to increase the gain level.
 - b. Turn the knob counterclockwise to decrease the gain level.
 - c. Press the button until it clicks to mute/unmute the microphone. When the microphone is muted, a red LED will be on. See image below for reference:

Note: When the headset is plugged in, and the microphone is muted, you will momentarily mute the audio as well.

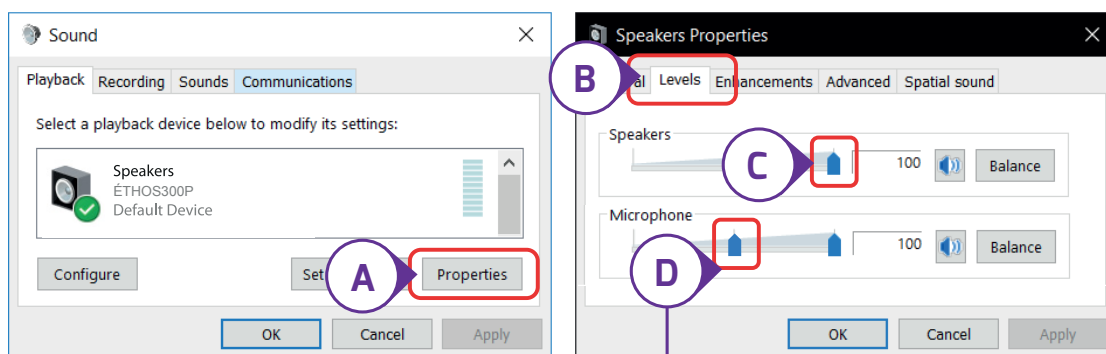


3.3. How to regulate the sound volume for the headphones

1. Insert the 3.5mm plug into the auxiliary jack on the microphone port to start using your headphones. You will be able to hear the audio that is being recorded, recognize background noise or to control the different levels of sound in your games.
2. Turn the bottom knob clockwise to increase the volume of the headphones.
3. Turn the knob counterclockwise to decrease the volume of the headphones.



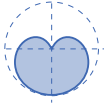
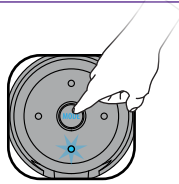
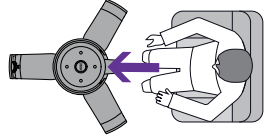
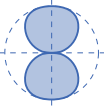
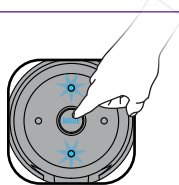
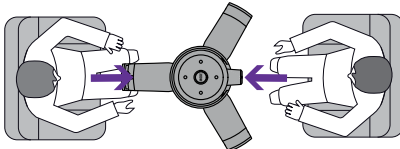
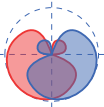
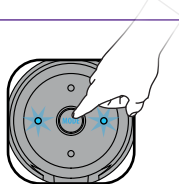
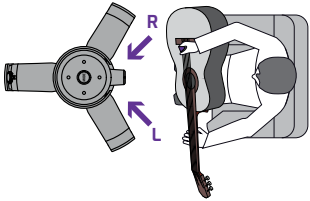
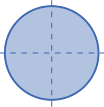
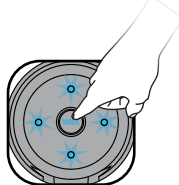
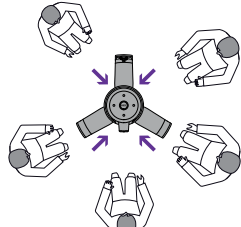
3. To be able to configure different levels of sound, follow the prompts on the screen as follows.



VOLUME MONITORING

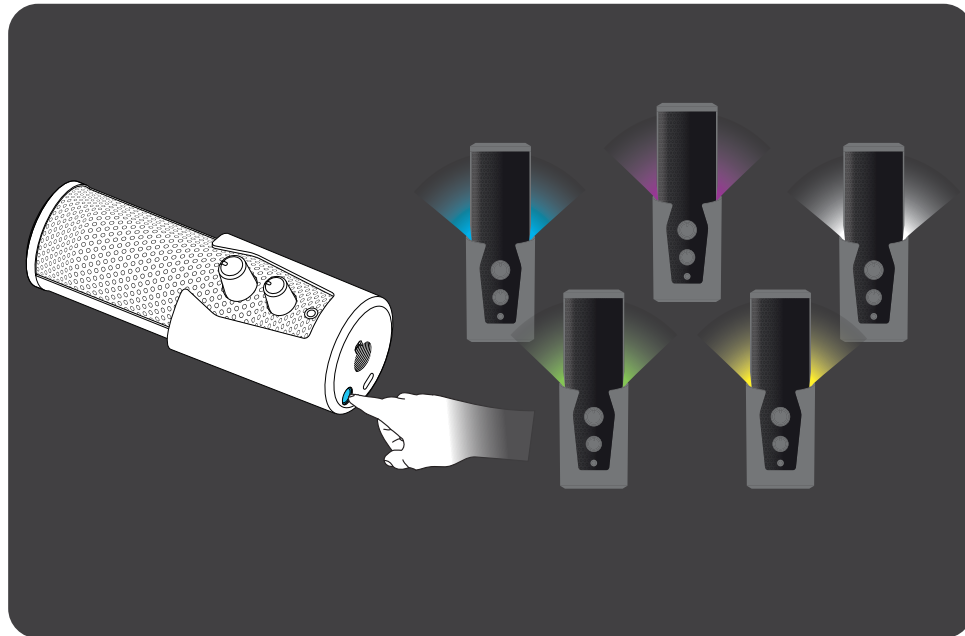
3.4. How to set up your microphone's polar patterns

1. The microphone features four polar patterns designed to pick up the sound from different angles: cardioid, stereo, bidirectional and omnidirectional.
2. The table below will help you to understand which mode best matches your recording needs.

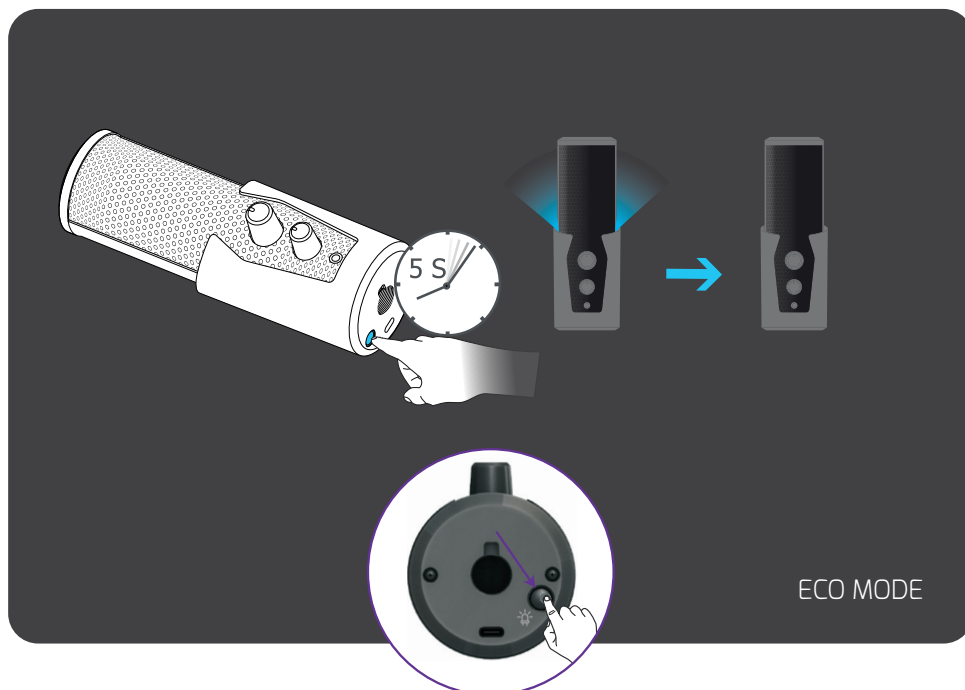
Polar pattern	Sound direction	Recording applications
 <p>Cardioid</p>	 <p>Focuses on one sound source, mainly located at the front of the microphone</p>	 <p>This is the standard and most used polar pattern. Use it for streaming, podcasting, vocal and instrument recordings.</p>
 <p>Bidirectional</p>	 <p>Focuses on the equal level of sound coming from the front and rear of the microphone</p>	 <p>Used mainly in interviews, for instruments and vocal duets.</p>
 <p>Stereo</p>	 <p>Picks up the sound coming from the left and right channels of the microphone.</p>	 <p>Used mainly for vocals, instruments or acoustics.</p>
 <p>Omnidirectional</p>	 <p>Picks up the sound equally from all directions</p>	 <p>Used mainly for group conferences and events.</p>

3.5. How to control the multicolor illumination effects

1. Press the LED control button to activate the multicolor LED lights.



2. Press and hold this button for about 5 seconds to turn the LED lights off.



3. Press and hold this button once again for 5 seconds to revert back to the multicolor illumination mode on the microphone.



PRIMUS

IV. TECHNICAL SPECIFICATIONS

MICROPHONE	
MICROPHONE	PMI-301
TYPE	Back electret condenser
POLAR PATTERNS	Cardioid, bidirectional, stereo, omnidirectional
FREQUENCY RESPONSE	30-18,000Hz
OUTPUT IMPEDANCE	32 ohms
SENSITIVITY	-36dB ±2dB (odB=1V/Pa at 1kHz)
GAIN CONTROL	Yes
VOLUME CONTROL	Yes
RESOLUTION (RECORDING)	Max. 16bit, 48kHz
RESOLUTION (PLAYBACK)	Max. 24bit, 96kHz
CONNECTIVITY	
CONNECTION INTERFACE	USB
BUTTONS/KNOBS	Buttons: Mute, LED control Knobs: Mic's volume control, headphone's volume control
COMPATIBLE PLATFORMS	Windows XP, Vista, 7,8,10, Linux and Mac OSX-Up to Leopard (10.5) Mac OS: Catalina (10.15), Mojave, High Sierra, Sierra.
ADDITIONAL INFORMATION	
MATERIAL	Zinc alloy
CABLE TYPE	Braided Type-C to USB A cable
CABLE LENGTH	6ft
DESK STAND BASE	Made out of solid metal
PRODUCT DIMENSIONS	6.1x6.1x9.1in
PRODUCT WEIGHT	36oz
OTHER FEATURES	
LIGHTING EFFECTS	Multicolor LED selectable lights
WARRANTY	

Primus® is a registered trademark. All rights reserved. All other brand names and trademarks are the property of their respective owners. Made in China.



PRIMUS