



# RAZER KAIRA PRO FOR XBOX

MASTER GUIDE

Enjoy cutting-edge audio performance that embraces the future of Xbox. Enter the **Razer Kaira Pro for Xbox**—a wireless Xbox Series X headset that supports mobile Xbox gaming. Fitted with our best drivers and headset mic, experience stellar sound and voice chat for unrivalled console and mobile gaming.

# CONTENTS

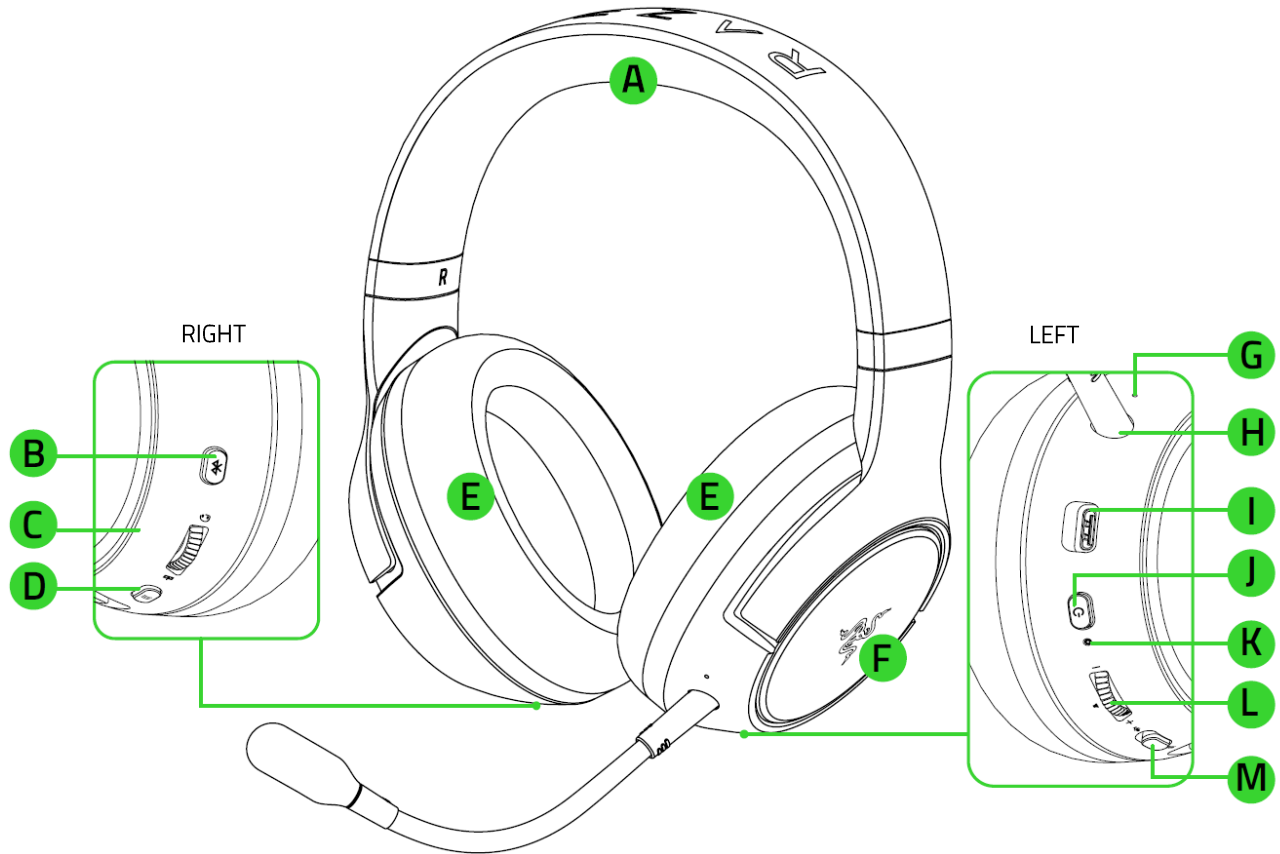
1. WHAT'S INSIDE / WHAT'S NEEDED.....	3
2. LET'S GET YOU COVERED.....	5
3. TECHNICAL SPECIFICATIONS.....	6
4. GETTING STARTED.....	7
5. USING YOUR RAZER KAIRA PRO FOR XBOX.....	11
6. SAFETY AND MAINTENANCE.....	18
7. LEGALESE.....	19

---

## 1. WHAT'S INSIDE / WHAT'S NEEDED

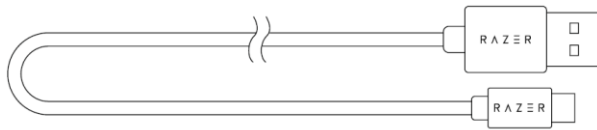
### WHAT'S INSIDE

- Razer Kaira Pro for Xbox

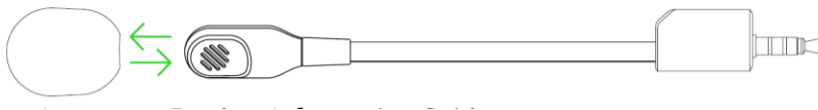


- A. Auto-adjusting headband
- B. Bluetooth / Multi-function button
- C. Game / Chat balance wheel
- D. EQ / Xbox Pairing button
- E. Breathable memory foam ear cushions
- F. Earcups Powered by Razer Chroma RGB™
- G. Mic diaphragm
- H. Microphone jack
- I. Charging port
- J. Power button
- K. Status indicator
- L. Volume wheel
- M. Mic mute switch

- Charging cable



- Removable Razer™ HyperClear Supercardioid Mic



- Important Product Information Guide

## WHAT'S NEEDED

- Xbox One™ / Xbox One™ S / Xbox One™ X / Xbox Series™ X|S  
OR
- PC (Windows® 10 64-bit or higher) with a free USB port\*
- Devices with Bluetooth 5.0 connectivity
- Internet connection for app installation

*\*May require the Xbox Wireless Adapter for Windows 10 (not included).*

## SAFETY STATEMENT

**IMPORTANT!** Before using your Xbox console with this product, read its instruction manual for safety, health, and other information regarding the use of your Xbox console.

---

## 2. LET'S GET YOU COVERED

You've got a great device in your hands, complete with a 2-year limited warranty coverage. Now maximize its potential and score exclusive Razer benefits by registering at [razerid.razer.com](https://razerid.razer.com)

*Your product's serial number can be found here.*



Got a question? Ask the Razer Support Team at [support.razer.com](https://support.razer.com)

---

## 3. TECHNICAL SPECIFICATIONS

### HEADPHONES

- Frequency response: 20 Hz – 20 kHz
- Impedance: 32Ω at 1 kHz
- Sensitivity (@1 kHz): 108 dB
- Drivers: 50 mm, with Neodymium magnets
- Inner ear cup diameter: Width 56mm / Length 67mm
- Oval ear cushions: Designed for full-ear coverage with heat-transfer fabric, perfect for long-wearing comfort
- Connection type: Direct to Xbox / via Xbox Wireless Adapter for Windows 10
- Wireless range: 10 m / 30 ft
- Wireless frequency: 2.4 GHz / 5 GHz
- Battery life:
  - Up to 15 hours (with Chroma Lighting)
  - 20 hours (without Chroma Lighting)

### MICROPHONE

- Frequency response: 100 – 10,000 Hz
- Signal-to-noise ratio: > 60 dB
- Sensitivity (@1 kHz):  $-54 \pm 3$  dB
- Pick-up pattern: Unidirectional

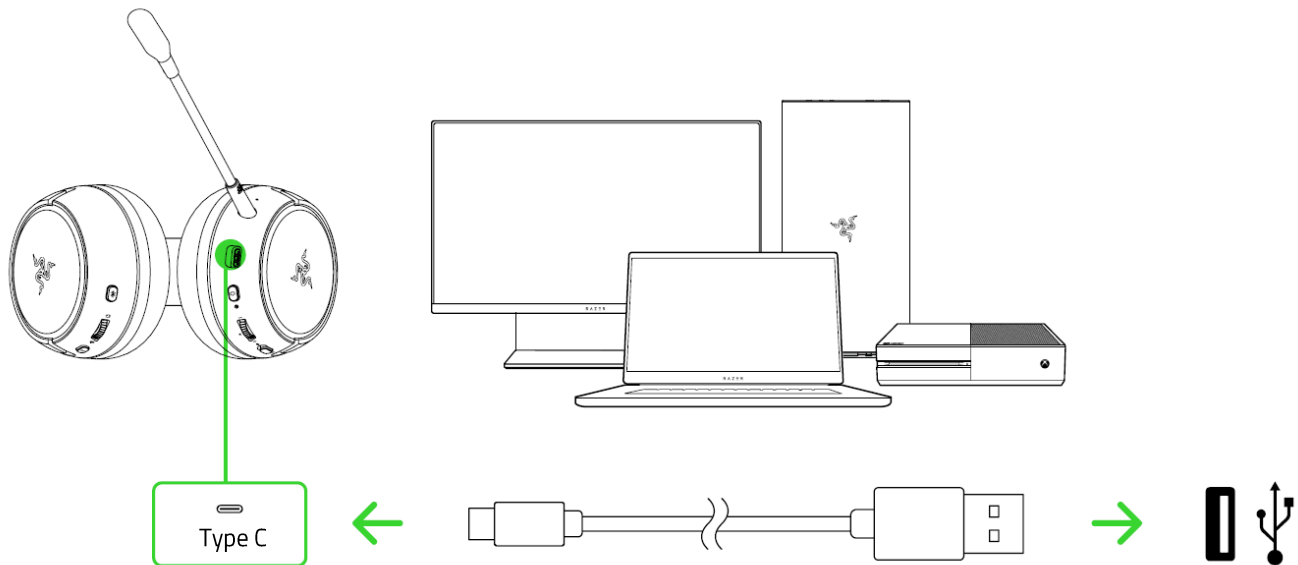
### RANGE

- Bluetooth wireless range: Up to 10m / 30ft

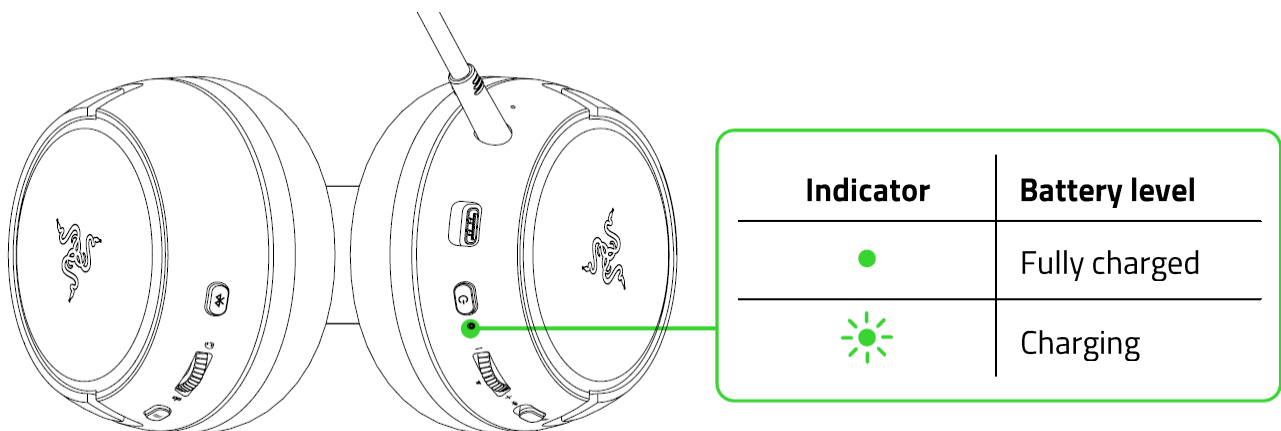
## 4. GETTING STARTED

### CHARGING YOUR HEADSET

Connect your Razer Kaira Pro for Xbox to a powered USB port using the charging cable. For best results, please fully charge your headset before using it for the first time. A depleted headset will fully charge in about 4 hours.



Once fully charged, your Razer Kaira Pro for Xbox will briefly show its battery level on the status indicator.

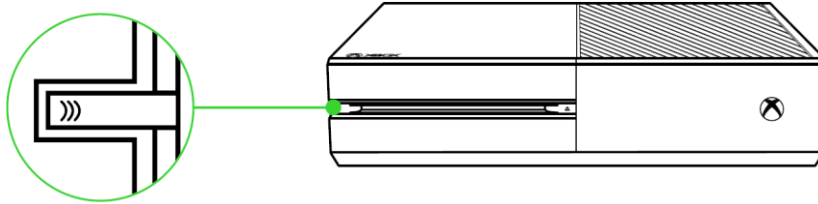




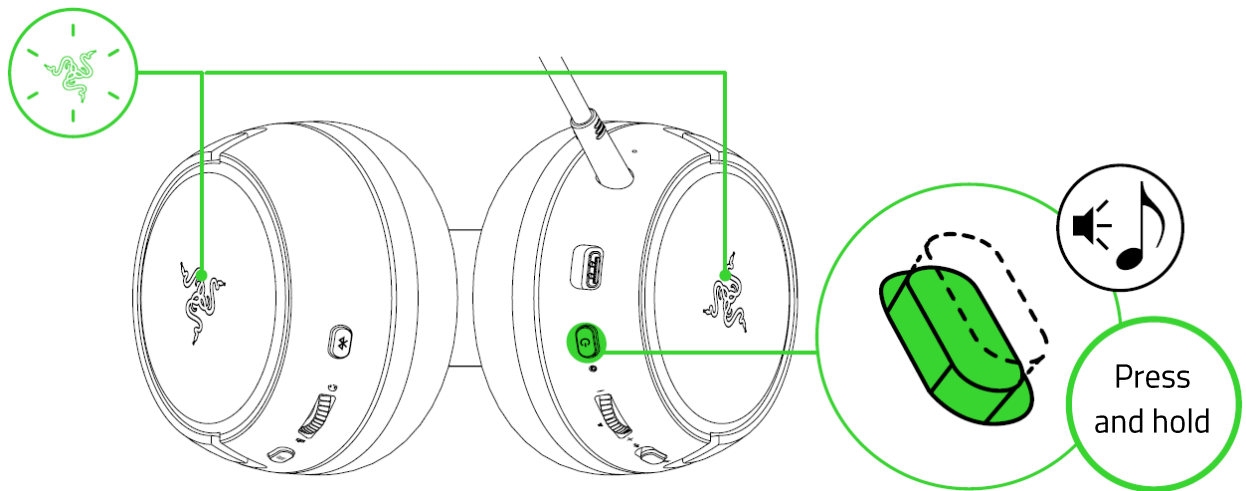
## PAIRING YOUR HEADSET

### A. TO YOUR XBOX CONSOLE

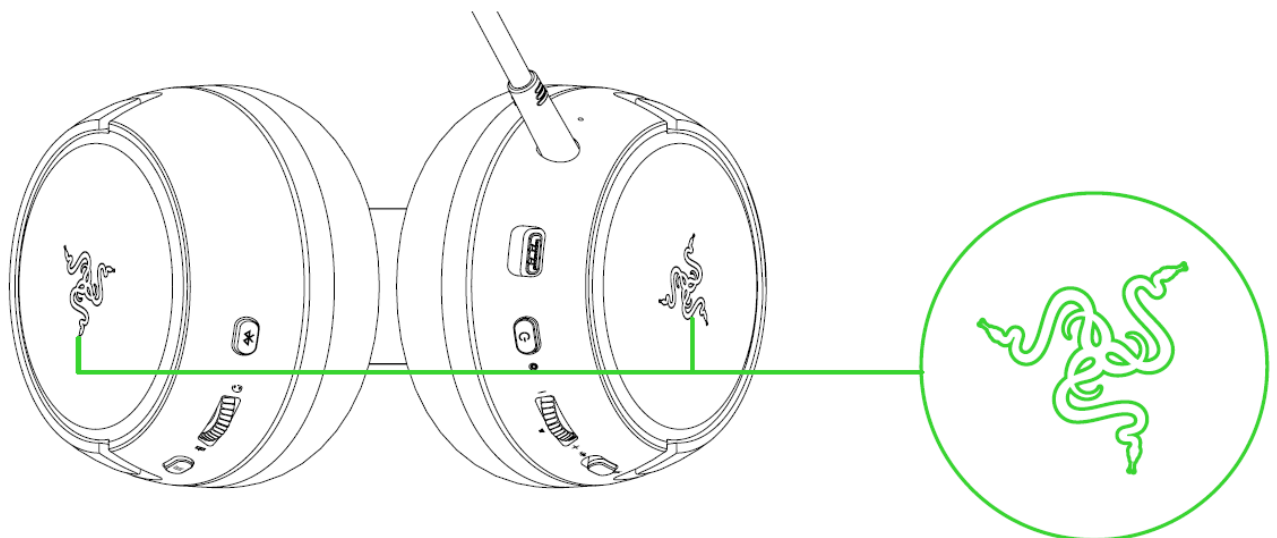
1. Press the Connect button on your console.



2. Press and hold the power button until the status indicator is briefly lit or until you hear a tone. The Razer logos on both earcups will also start blinking green to indicate that the headset is in Xbox pairing mode.



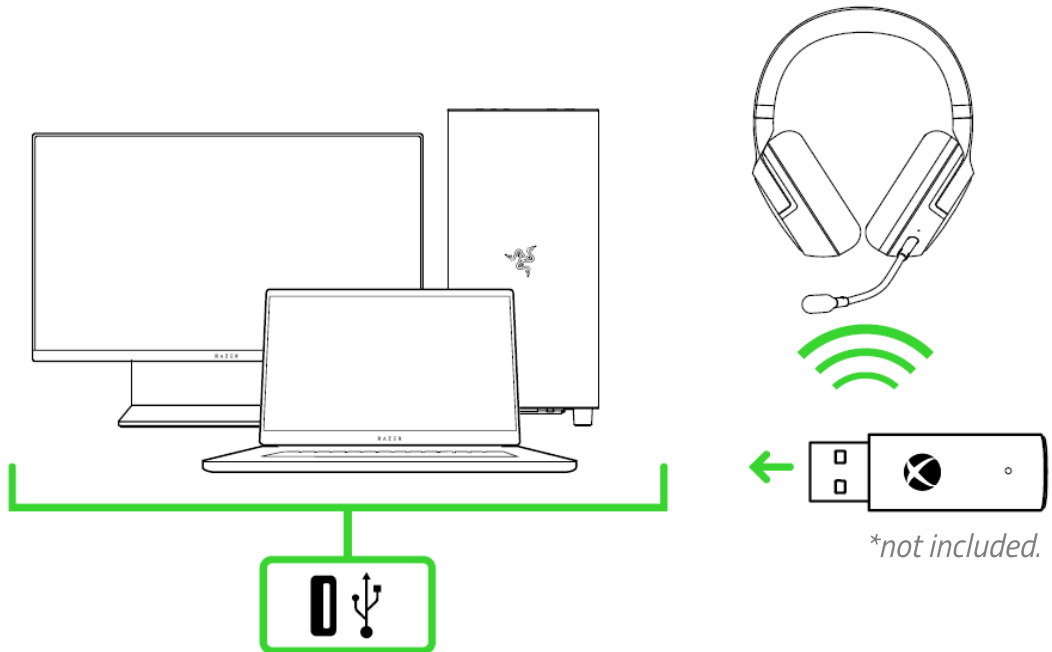
3. Wait until the Razer logos briefly become static green, indicating that the headset is now paired to the Xbox console.



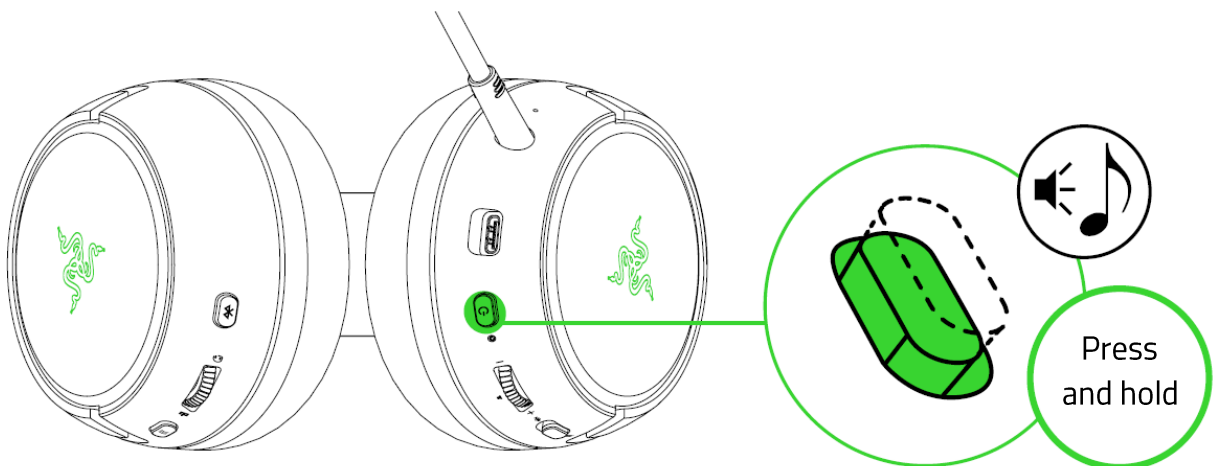
## B. TO YOUR PC VIA XBOX WIRELESS ADAPTER FOR WINDOWS 10\*

**i** Make sure that your Xbox Wireless Adapter for Windows 10 is up-to-date. Some systems have Xbox Wireless built in which allows you to pair your headset by using Bluetooth & other devices in Settings.

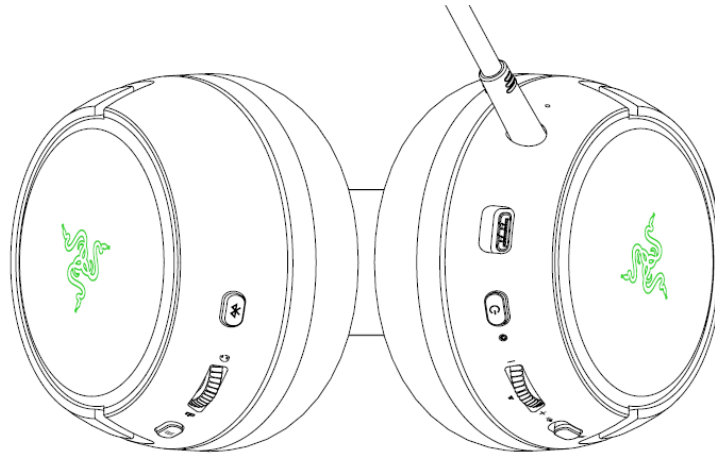
1. Plug in your Xbox Wireless Adapter for Windows 10\* to your PC and then press its Connect button.



2. While powered off, press and hold the power button until the status indicator is briefly lit or until you hear a tone. The Razer logos on both earcups will also start blinking green to indicate that the headset is in Xbox pairing mode.

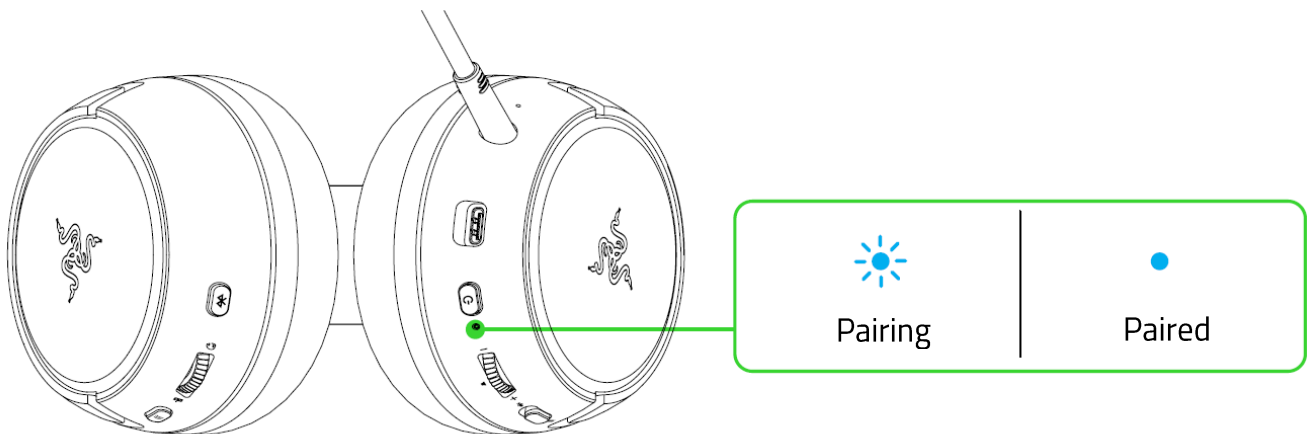


3. Wait until the Razer logos briefly become static green, indicating that the headset is now paired to the wireless adapter.



### C. TO YOUR MOBILE DEVICES VIA BLUETOOTH

With your headset connected to your mobile device via Bluetooth connection, you'll be able to play/pause music tracks, and even manage calls from your mobile device while gaming on your Xbox console. While powered on, press the Bluetooth / Multi-function button until the status indicator is lit or until you hear a tone to activate Bluetooth pairing mode. Follow your device's instructions to pair it with your headset. Once the headset is paired, the status indicator will briefly change to static blue.

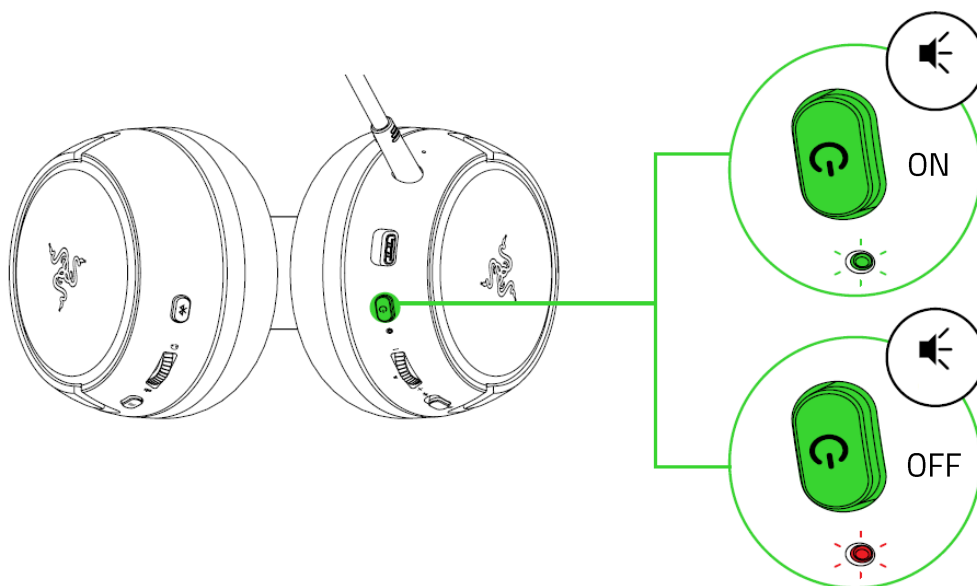


## 5. USING YOUR RAZER KAIRA PRO FOR XBOX

### POWER BUTTON

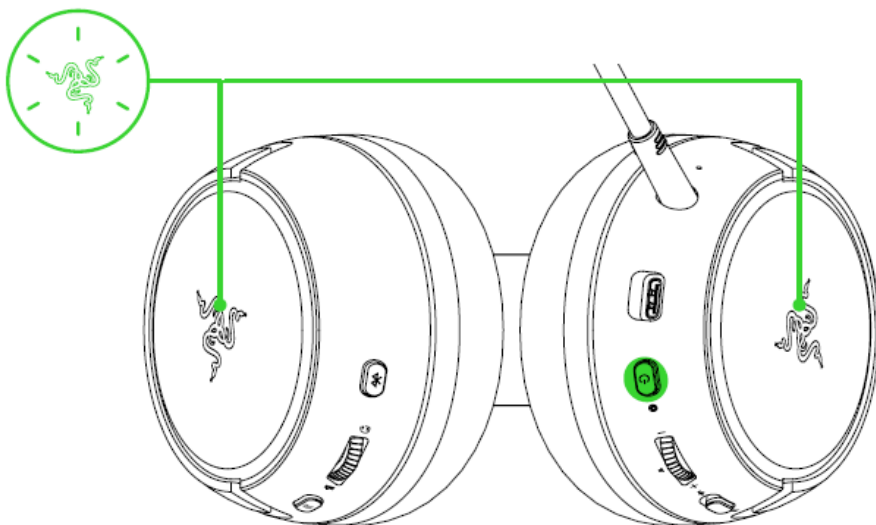
#### Power ON / OFF

Power on or off your headset by holding the power button until the status indicator is on; and holding the button again to turn off. Two distinct tones will help notify you that the headset is powered on or off.



#### Changing Earcup Lighting

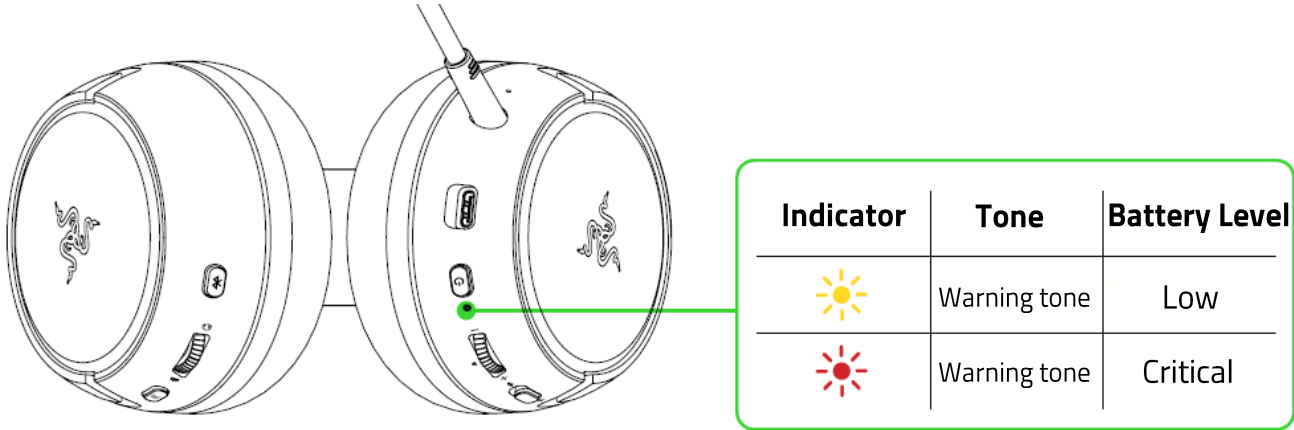
When powered on, the power button can also be used to cycle between the lighting presets on the headset. Simply press the power button to change the current lighting effect on the earcups.



**i** The headset's lighting effect can also be customized using the Razer Headset Setup For Xbox app from your Xbox console or PC.

## BATTERY LEVEL

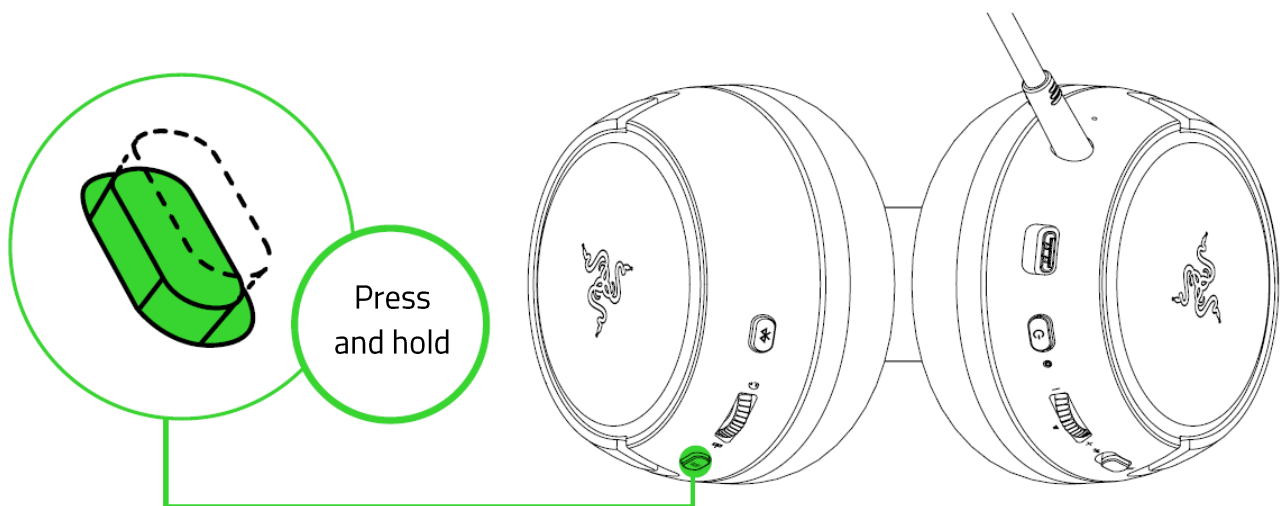
When unplugged and powered on, the status indicator will briefly show the connection and battery status. While in use, there will be a tone notification when the headset needs to be recharged; during such time, the indicator will continue showing the battery status until you charge the headset.



## EQ / XBOX PAIRING BUTTON

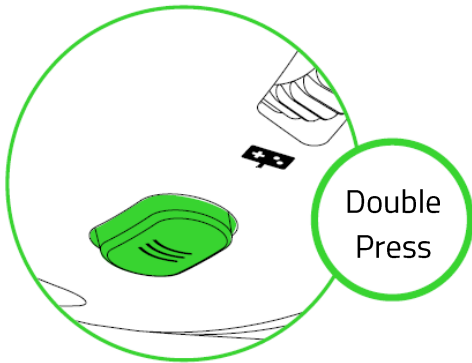
### Pairing Mode

When pairing the headset to a different Xbox console or wireless adapter, use the EQ / Xbox Pairing button to activate Xbox pairing mode. Simply press and hold the EQ / Xbox Pairing button until the Razer logos on both earcup is blinking green or until you hear a tone, indicating that the headset can now be paired to a different Xbox console or wireless adapter.



## EQ Presets

Double press the EQ / Xbox Pairing button to switch between the equalizer presets available on the headset.

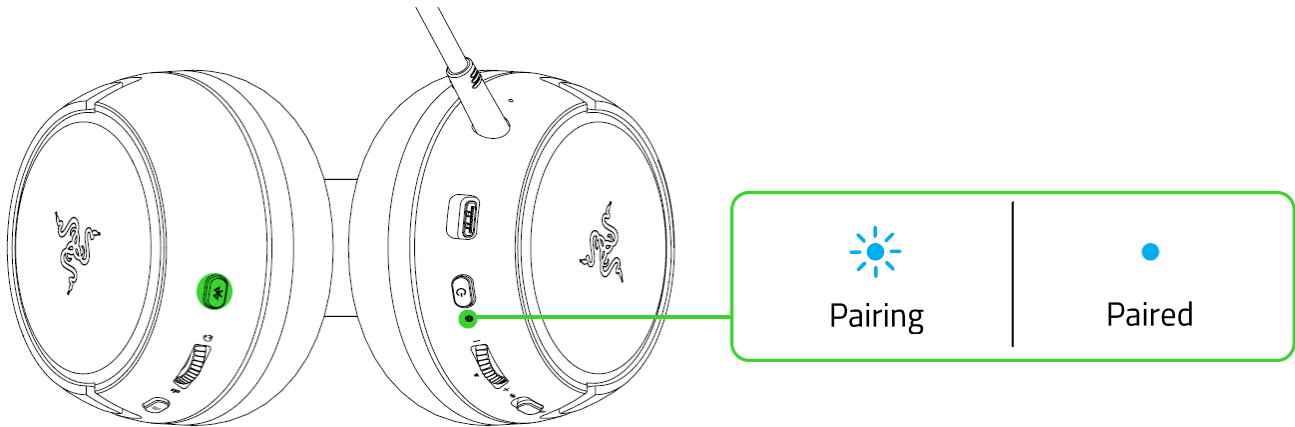


Preset	Description
Default	All-around balance of audio clarity and bass
Bass Boost	Immerse more on solid, realistic bass
FPS	Hear the most subtle of footsteps sneaking from behind
Custom*	Your own custom balance of audio clarity

*\*This preset will only be available when you customize a preset on the Razer Headset Setup for Xbox app.*

## BLUETOOTH / MULTI-FUNCTION BUTTON

Use the Bluetooth / Multi-function button to pair and connect your headset to mobile devices via Bluetooth connection. While powered on, press the Bluetooth / Multifunction button to activate or deactivate Bluetooth; or press and hold to activate Bluetooth pairing mode. Follow your device's instructions to pair it with your headset. Once the headset is paired, the status indicator will briefly change to static blue.



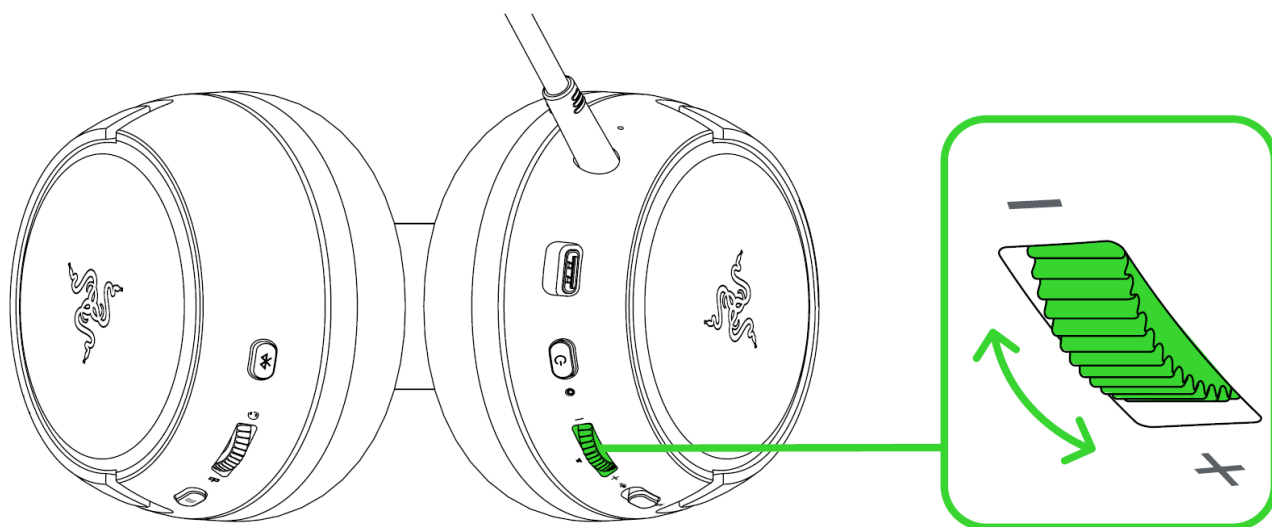
Other button functions are available when the headset is powered on and connected to your device. These functions operate based on your device's current activity.

**i** Some features listed here may not be applicable to certain devices.

Single press	Activate Bluetooth
	Play/pause
	Accept incoming call or end current call
	Put call on-hold and accept incoming call
	End call and swap to on-hold call
Press and hold for 2 seconds	Launch voice command
	Reject incoming call
	Swap calls
	Enable or disable Gaming Mode
Press and hold for 5 seconds	Activate Bluetooth pairing mode
Double press	Skip track
Triple press	Previous track

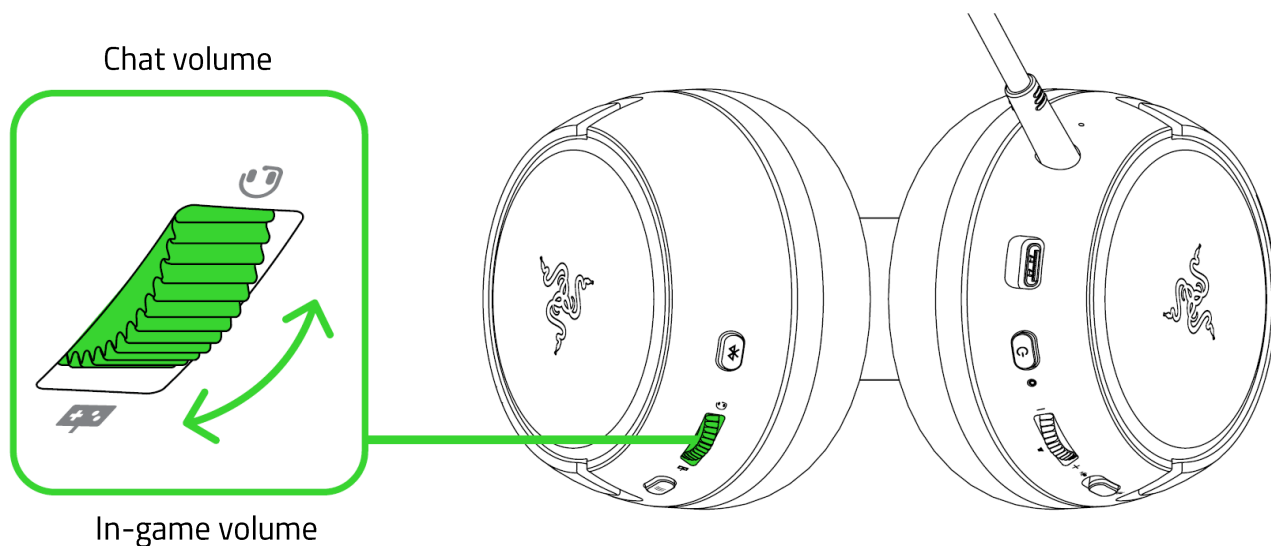
## VOLUME WHEEL

Rotate the volume wheel to increase or decrease the volume.



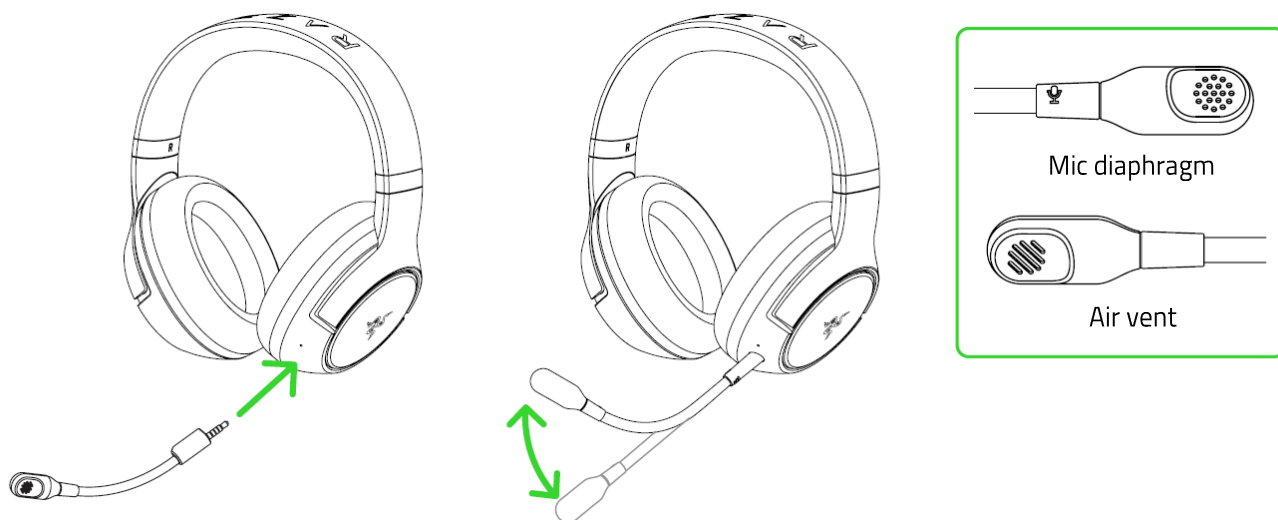
## GAME / CHAT BALANCE

Rotate the Game / Chat balance wheel to increase the in-game volume and decrease the voice chat volume or vice versa. By default, the notch on the wheel is set to the middle to indicate 50% chat and 50% game volume.



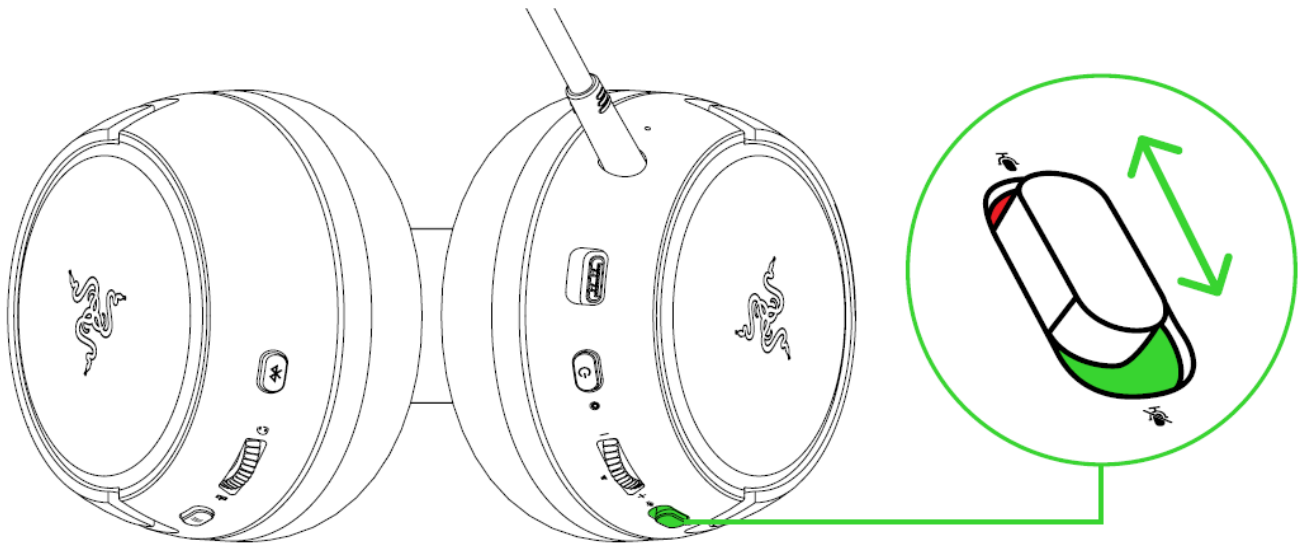
## RAZER HYPERCLEAR SUPERCARDIOID MIC

Plug the Razer™ HyperClear Supercardioid Mic to the headphone and bend until it is parallel to your mouth. Make sure the mic diaphragm is in front and the air vent is facing away from your mouth.



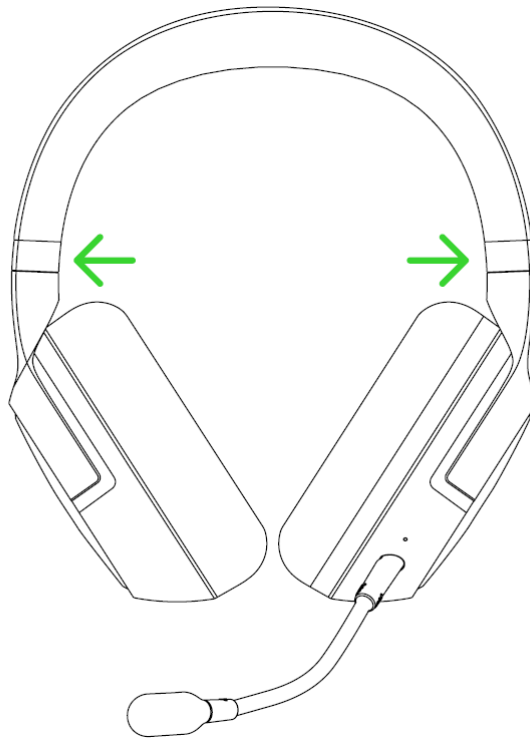


Slide the mic mute switch to mute or unmute the microphone.



## COMFORT

It's recommended to gently stretch the headset before placing it over your head to minimize headband stress however, don't stretch the headset beyond its limits.



## RAZER HEADSET SETUP FOR XBOX APP (FOR XBOX / PC)

Use the Razer Headset Setup for Xbox app to personalize your own EQ preset which you can set as the Custom preset of your headset, personalize Chroma lighting effects, enable mic monitoring to hear your own voice through the headset, and even adjust other mic features for a truly immersive gaming experience.



*Download and install the Razer Headset Setup for Xbox app from the Microsoft Store on your gaming console or PC.*

---

## 6. SAFETY AND MAINTENANCE

### SAFETY GUIDELINES

In order to achieve maximum safety while using your Razer Kaira Pro for Xbox, we suggest that you adopt the following guidelines:

Should you have trouble operating the device properly and troubleshooting does not work, unplug the device and contact the Razer hotline or go to [Razer.com](#) for assistance.

Do not take apart the device (doing so will void your warranty) and do not attempt to operate it under abnormal current loads.

Keep the device away from liquid, humidity or moisture. Operate the device only within the specific temperature range of 0°C (32°F) to 40°C (104°F). Should the temperature exceed this range, unplug and/or switch off the device in order to let the temperature stabilize to an optimal level.

The device isolates external ambient sounds even at low volumes, resulting in lowered awareness of your external surroundings. Please remove the device when engaging in any activities that requires active awareness of your surroundings.

Listening to excessively loud volumes over extended periods of time can damage your hearing. Furthermore, legislation of certain countries permits a maximum sound level of 86db to affect your hearing for 8 hours a day. We therefore recommend that you reduce the volume to a comfortable level when listening for prolonged periods of time. Please, take good care of your hearing.

### MAINTENANCE AND USE

The Razer Kaira Pro for Xbox requires minimum maintenance to keep it in optimum condition. Once a month we recommend you clean it using a soft cloth or cotton swab to prevent dirt buildup. Do not use soap or harsh cleaning agents.