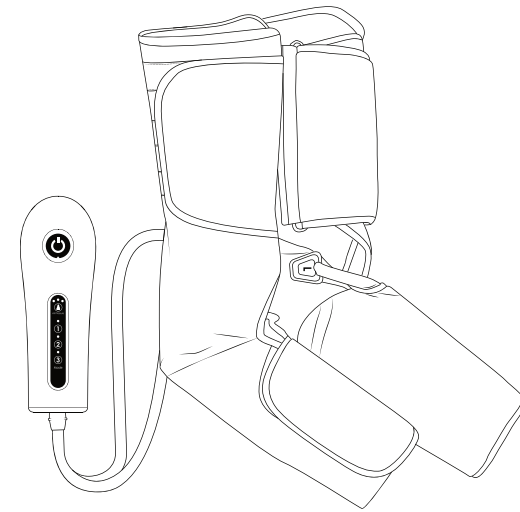


COSTWAY[®]



USER'S MANUAL
Pneumatic Massager
EP24392US

THIS INSTRUCTION BOOKLET CONTAINS **IMPORTANT** SAFETY INFORMATION. PLEASE READ AND KEEP FOR FUTURE REFERENCE.

Please give us a chance to make it right and do better!

Contact our friendly customer service department for help first.

Replacements for missing or damaged parts will be shipped ASAP!

Follow Costway

Visit us: www.costway.com



Contact Us!

Do NOT return this item.

Contact our friendly customer service department for help first.



Before You Start

- ⚠ Please read all instructions carefully.
- ⚠ Retain instructions for future reference.
- ⚠ Separate and count all parts and hardware.
- ⚠ Read through each step carefully and follow the proper order.
- ⚠ We recommend that, where possible, all items are assembled near to the area in which they will be placed in use, to avoid moving the product unnecessarily once assembled.
- ⚠ Always place the product on a flat, steady and stable surface.
- ⚠ Keep all small parts and packaging materials for this product away from babies and children as they potentially pose a serious choking hazard.

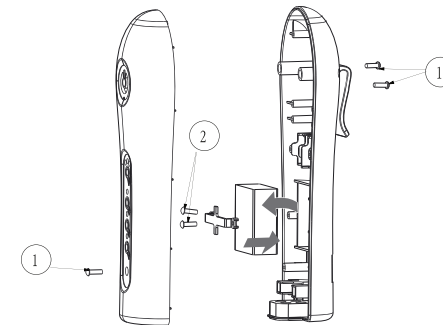
Removing the built - in rechargeable battery

Remove the built - in battery when disposing of the appliance.

Please make sure that the battery is disposed of at an officially designated location if there is one.

This figure must only be used when disposing of the appliance, and must not be used to repair it. If you dismantle the appliance yourself, it may cause malfunction.

- Unplug the AC adaptor from the appliance before disassembling it.
- Turn on the power and then keep the power on until the battery is completely discharged. Perform steps ① to ② and lift the battery, and then remove it.
- Please take care not to short-circuit the battery.the appliance is only to be used with the power supply unit provided with the appliance.



Important Safety Instruction

When using the product, all instructions and basic precautions should always be followed, including the following:

DANGER

To reduce the risk of electric shock:

Always unplug this product from the electrical outlet immediately after using and before cleaning.

WARNING

To reduce the risk of burns, fire, electric shock, or injury to persons:

01. The product should never be left unattended when plugged in. Unplug from outlet when it is not used and before putting on or taking off parts.
02. Do not operate under a blanket or a pillow. Excessive heat can occur and cause fire, electric shock, or injury to persons.
03. Do not carry this product by its supply cord or use the cord as a handle.
04. Never operate the product with the air openings blocked. Keep the air openings free of lint, hair, and the like.
05. Do not drop or insert any object into any opening.
06. Do not use outdoors.

07. Do not operate where aerosol (spray) products are being used or where oxygen is administered.
08. To disconnect, switch off all controls and remove the plug from outlet.
09. Close supervision is necessary when this appliance is used by, or near children, invalids, or disabled persons to ensure that they do not misuse the product.
10. Keep the cord away from heated surface, otherwise it may cause serious burns. Do not use over insensitive skin areas or in the presence of poor circulation.
11. Persons insensitive to heat must be careful when using the appliance.
12. The appliance must only be supplied at safety extra low voltage corresponding to the marking on the appliance.
13. The appliance is only to be used with the power supply unit provided with the appliance.
14. This appliance is not intended for use by persons (including children) with reduced physical, sensory or mental capabilities, or persons lacking experience and knowledge, unless they have been given supervision or instruction concerning use of the appliance by a person responsible for their safety.
15. Special attention should be given to components most susceptible to wear and it's advised to replace defective components immediately and/or keep the equipment out of use until repair.
16. Use this appliance only for its intended use as described in this manual.
17. Never operate this appliance if it has a damaged cord or plug, if it is not working properly, if it has been dropped or damaged, or if it has dropped into water. Return the appliance to a service center for examination and repair.



The device is not to be used for commercial use or medical purposes. If you have health concerns, consult your doctor before using the Rechargeable Air Compression Leg Massager.



Only use indoors!



Do not use the device in damp rooms (e.g. when bathing or showering).



- Do not wash!
- Do not dry clean!
- After using this product for 15 minutes, rest for 30 minutes, then use again.

SAVE THESE INSTRUCTIONS

Introduction

Thank you for purchasing the Rechargeable Air Compression Leg Massager. Please read this user manual carefully and keep it in a safe place for future reference. If you need any assistance, please contact our support team with your product model number and order number.

Included

- 2 x Leg wrap ("R" for right leg / "L" for left leg)
- 1 x Adapter
- 1 x User manual
- 1 x Handheld controller

Product Specifications

Model	MGF-701
Name	Rechargeable Air Compression Leg Massager
Output	13.5V \approx 1A
Usage time	3 hours
Charging time	2.5 hours
Battery	DC 11.1V \approx 1000mAh

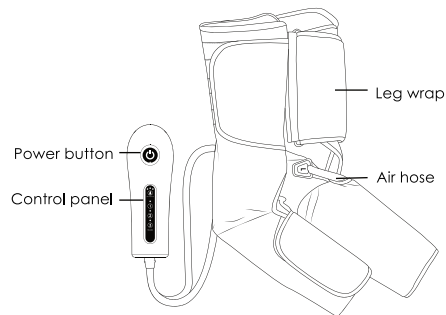
Important Safeguards

1. The product is a personal massager, not a medical device, and do not use on injured areas; People with health problems should consult a doctor for advice before using the product.
2. Use the product only with the included adapter.
3. Do not use the product in a humid environment (like a bathroom) to avoid electric shock or other safety issues.
4. Supervision is necessary if users are children or the handicapped.
5. Pregnant women should not use the product.
6. It's recommended not to use the product continuously for more than 15 minutes at a time.
7. When storing the product, do not expose it to direct sunlight, with dust prevention being taken into consideration.

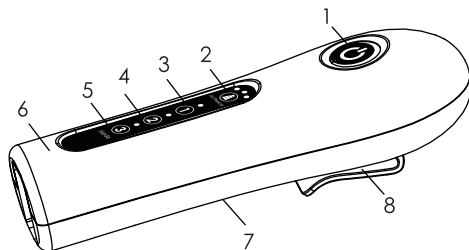
Questions & Answers

Problem	Cause	Solution
The product could not be turned on normally.	The power button has not been pressed.	Please press the power button.
	The battery has run out.	Please charge before using again.
The product gets hot.	The product has been used continuously for long.	Please wait for 30 minutes before using again.
There exists air leakage.	The air hoses are not installed properly.	Please install the air hoses properly.

Product Diagram



Control Panel



1. Power button
2. Intensity adjustment button
3. Button for Mode 1
4. Button for Mode 2
5. Button for Mode 3
6. Upper shell
7. Bottom shell
8. Hanging hook

Product Operation Guide

Power button: Press the power button to turn on the product with the indicator light on, and Mode 1 will be activated by default; Press the power button again to turn off the product.

Intensity adjustment button: When the product is working, press the intensity adjustment button to interchange among 3 intensity levels (low, medium, and high) successively.

Mode buttons: Choose among 3 modes via 3 mode buttons.

After the product has been turned on, the default working time would be 15 minutes; If the product could not be turned on, please charge before trying again.

If the product is not connected to the power supply through the adapter, then it would be powered by the built-in lithium battery; When the battery is running low, the power indicator light would flicker, indicating that the battery should be charged.

If the product is connected to the power supply through the adapter, it would shift to the state of being charged and stop massage movements; When the product is being charged, the power indicator light would flicker; After the product is fully charged, the power indicator light would remain on all along; The product could be fully charged in about 2.5 hours normally.

Please charge the product only with the included adapter to avoid danger.

Note: If the power indicator light does not shift to the state of remaining on all along (indication of full charge) after the product has been charged for over 6 hours, please unplug the adapter to avoid danger.

Massage Areas

Feet and calves

Warranty & Customer Support

If you need help regarding product issues, after-sales service, or other relevant problems, please contact us via the email on the cover.

Welcome to visit our website and purchase our quality products!

Your suggestions and comments for COSTWAY are really important to us!
We sincerely solicit you to go back to our shop and leave a good rating in just a simple click. It would be quite encouraging if you could kindly do so like below:

★★★★★ Great products so far

February 24, 2019

Great products so far. Fast delivery, easy setup, and working without any issues.

With your inspiring rating, COSTWAY will be more consistent to offer you
EASY SHOPPING EXPERIENCE, GOOD PRODUCTS and EFFICIENT SERVICE!

US office: Fontana, California

UK office: Ipswich



- * Reward Points
- * Exclusive Customer Service
- * Personalized Recommendations
- * Permanent Shopping Cart
- * Order History

5 Star Rating



We would like to extend our heartfelt thanks to
all of our customers for taking time to assemble
this product and giving us valuable feedbacks.

THANK
YOU
☺