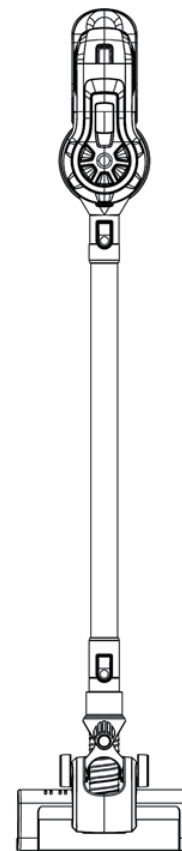


COSTWAY[®]



USER'S MANUAL
Vacuum Cleaner
EP24519US

THIS INSTRUCTION BOOKLET CONTAINS **IMPORTANT** SAFETY INFORMATION. PLEASE READ AND KEEP FOR FUTURE REFERENCE.



Please give us a chance to make it right and do better!

Contact our friendly customer service department for help first.

Replacements for missing or damaged parts will be shipped ASAP!

Follow Costway

Visit us: www.costway.com



Contact Us!

Do NOT return this item.

Contact our friendly customer service department for help first.



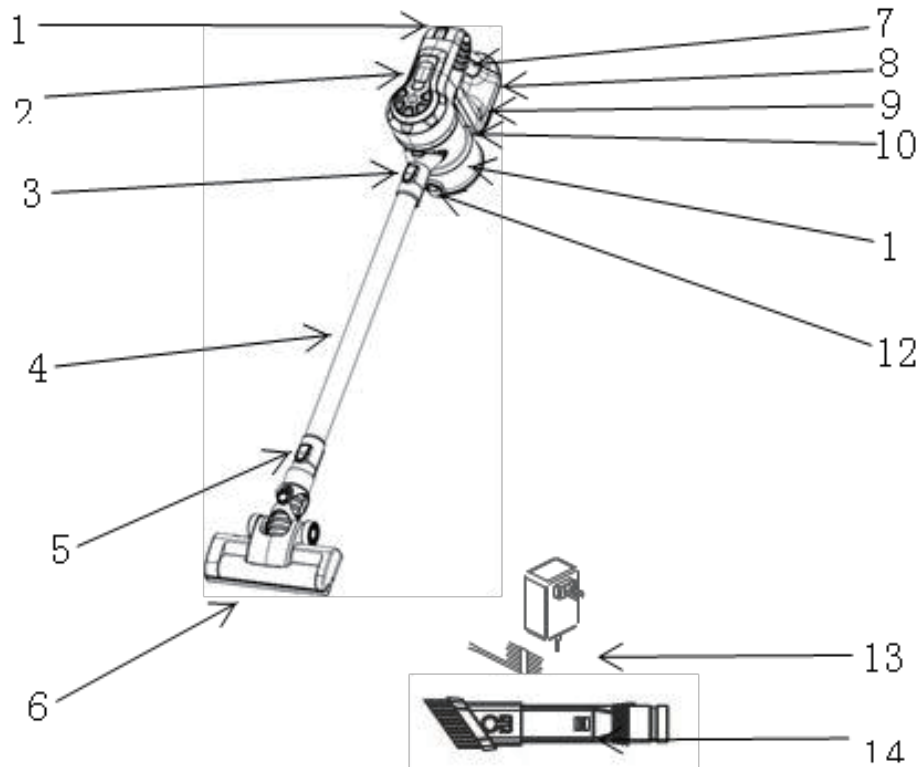
Before You Start

- ⚠ Please read all instructions carefully.
- ⚠ Retain instructions for future reference.
- ⚠ Separate and count all parts and hardware.
- ⚠ Read through each step carefully and follow the proper order.
- ⚠ We recommend that, where possible, all items are assembled near to the area in which they will be placed in use, to avoid moving the product unnecessarily once assembled.
- ⚠ Always place the product on a flat, steady and stable surface.
- ⚠ Keep all small parts and packaging materials for this product away from babies and children as they potentially pose a serious choking hazard.

SAFETY PRECAUTION

1. This appliance can be used by Children aged from 8 years and above and above persons with reduced physical, sensory or mental capabilities or lack of experience and knowledge if they have been given supervision or instruction concerning use of the appliance in a safe way and understand the hazards involved.
Children shall not play with the appliance. Cleaning and user maintenance shall not be made by Children without supervision.
2. This appliance is designed for domestic use only.
3. Do not pull on the connection cord, but rather on the plug, to separate the appliance from the mains.
4. Do not use outdoor.
5. Do not leave the appliance unattended when it is switched on, as this may be a source of danger.
6. If the supply cord is damaged, it must be replaced by the manufacturer, its service agent or similarly qualified persons in order to avoid a hazard.
7. Following objects are strictly banned, otherwise the vacuum cleaner will be damaged or fire calamity will be caused, which bring such accidents as human body injuries;
A: Don't pick up large or sharp broken such as glasses,
B: Don't pick up harming or erodent liquids (solvent, corrosive, detergent...),
C: Don't pick up inflammable or explosive substance such as gasoline or alcohol.
8. Check the device and connections regularly for visible damage.
9. Never attempt to open the device or the mains adapter yourself or to replace the connecting cable. Always have repairs to the device carried out by a specialist workshop. There is considerable danger to the user if repairs are faulty.
10. Do not trap the mains adapter cable and when using the adapter, pay attention to where the cable is to prevent any danger of tripping over it. Keep the cable away from heated surface (eg: cooker surface).
11. Do not touch the mains adapter and cable with wet hands.
12. Do not point the Vacuum Cleaner at persons or animals when in operation.
13. Only use the mains adapter on dry surface in buildings.
14. Only use the device with the accessories supplied.
15. Please keep these instructions in a safe place. Use only with the provided adaptor.
16. The appliance must only be supplied at safety extra low voltage corresponding to the marking on the appliance.
17. This appliance includes Li-ion batteries; do not incinerate the batteries or expose to high temperatures, as they may explode.
18. This appliance is only charged with the adaptor delivered together.

COMPONENTS



- 1.Outlet plate
- 2.LED Indicator
- 3.Release button of Metal tube
- 4.Tube set
- 5.Brush Release button
- 6.Electric brush assembly
- 7.On/Off switch
- 8.Main body
- 9.Release button of battery

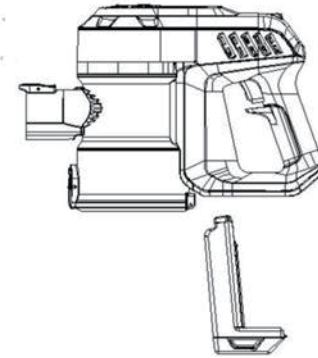
- 10.Li-ion Battery Pack
- 11.Dust cup
- 12.Release button to open the dust cup cover
- 13.Adaptor
- 14. 2 IN 1 Accessories

COMPONENTS ASSEMBLY

Check that all the parts in the box.(See page...)

Step 1:

Install the battery pack as the below picture, the "clicking" lock sound proves okay.



Step 2:

Install the electric brush by inserting it into the tube carefully.



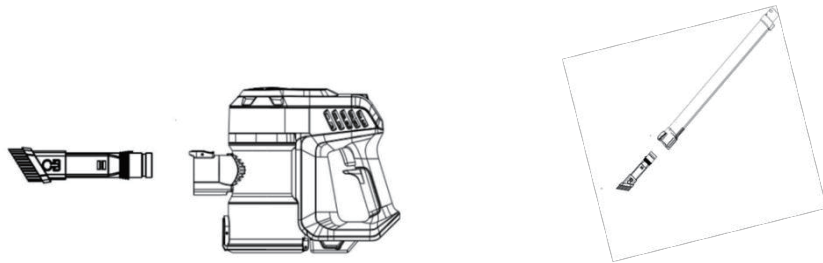
Step 3:

Install the tube with the brush by inserting it into the Vacuum Suction tube.



Step 4:

Install the 2 IN 1 accessories to the Suction tube or tube of the Vacuum Cleaner as the below drawings.



Vacuuming floors and carpets

You should regularly check that the nozzle cushions and the brush roller are clean in order to avoid scratching sensitive floors.

Following step 1 to Step 3 to assemble the whole unit and then start the device by pushing the on/off button.

Vacuuming tables, furniture, car seats etc.

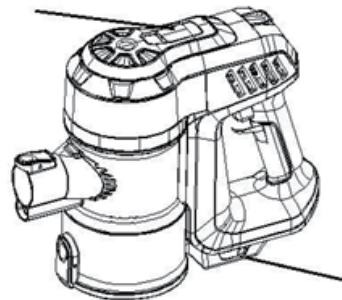
To clean the tables, furniture, car seats or some cornets, just remove the tube by pressing the release button. And following step 4 to install the 2 in 1 tools, then press the on/off button to start the cleaning.

CHARGING

Insert the adaptor into the mains socket(Note: Always make sure that the device is turned off) and then connect to the device. The indicator light will flash once the device has made contact with the adaptor.

It takes around 4 hours to fully charge the battery before the first use, the light will appear "flash" during charging, and the three grid power will keep lighting(white light) once the machines are fully charged. In order to ensure that it is always ready for use, the device should be left on connection with the adaptor when not being used.

The adaptor may become warm during charging-this is normal.



P.S: The LED light(three grid power) keeping light means the machines are fully charged, the light will extinguish one by one when the power is not full gradually; When the voltage is too low, the machine will become automatic power-off to protect the battery, it means the machines should be charged.

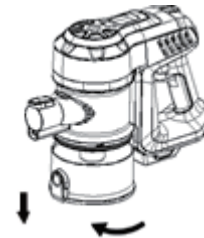
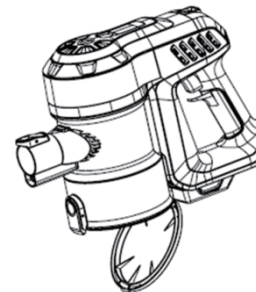
HOW EMPTYING/CLEANING

1.Remove the accessories from the body by pressing the release button.



2.Press the release button to open the dust cup cover, drop out the trash into the dust bin.

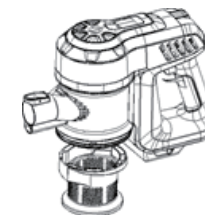
3.Detach the dust cup by twisting according to the direction, clean the cyclone part by toothbrush, Make sure that the parts are dry before they are assembled back for next using.



FOR CLEAN OR REPLACE THE HEPA FILTER

4.Detach the dust cup by twisting according to the direction, take out the HEPA filter to wash it under the flowing water, Dry it in air naturally before next time using(Make sure the HEPA is dry before next time using).

Or detach the dust cup of the Vacuum Cleaner to replace the HEPA filter.



RE-INSTALL THE COMPONENTS

Firstly re-install the dust cup back to the unit following up the opposite procedures when detaching the dust cup, then install the HEPA filter, the tube set, brush or 2 in 1 tools for next time using.

HOW TO CLEAN THE ROLLER BRUSH

If the roller brush becomes blocked or jammed for any reason, the Vacuum will be lower down. The roller brush may then need to be cleaned. Switch off the device firstly, and then carefully use a pair of scissors or a sharp knife to remove any items such as the threads that may have become entangled.

If the roller brush needs to be taken out for cleaning, push slip button on the bottoms of the brush by finger or a coin, remove slip button as the below picture, take out the roller brush for cleaning, afterwards, Put the slip button on roller brush and lock it by finger.



Cleaning of wheel axles: If a wheel is jammed by threads or dirt: Remove the wheels by carefully prizing them loose using a screwdriver inserted into the cavity. Remove threads or any other objects that may have become jammed in the wheels axles. Reassemble the wheels by pressing them tightly together.

P.S: There are the two speed control for this machine, the low speed control(standard), and the high speed control, once the on/off knob is on, the machine will enter into the standard working mode firstly for the normal cleaning.

Once pressing the on/off knob again during operation, the machine will be switched into the high speed working mode for the higher Suction to clean the carpet, crevice or the other hard to clean places,

If pressing the on/off knob for the 3rd time(during operation), it means turn off the machine, ie:

If the machines are on the standard working model, pressing the on/off knob twice continuously to be off, Pressing the on/off one time to be off when it is on the high speed working mode.

Basic Technical Data

Battery: Li-ion 22.2V 2500mAh
Adaptor: Input 100-240V, 50/60Hz
Output: 28V 500mA
Charge: 4-5Hours
Operating time: 15-23mins
Vacuum: above 13KPa

Welcome to visit our website and purchase our quality products!

Your suggestions and comments for COSTWAY are really important to us!
We sincerely solicit you to go back to our shop and leave a good rating in just a simple click. It would be quite encouraging if you could kindly do so like below:

★★★★★ Great products so far

February 24, 2019

Great products so far. Fast delivery, easy setup, and working without any issues.

With your inspiring rating, COSTWAY will be more consistent to offer you EASY SHOPPING EXPERIENCE, GOOD PRODUCTS and EFFICIENT SERVICE!

US office: Fontana, California

UK office: Ipswich



- * Reward Points
- * Exclusive Customer Service
- * Personalized Recommendations
- * Permanent Shopping Cart
- * Order History

5 Star Rating



We would like to extend our heartfelt thanks to all of our customers for taking time to assemble this product and giving us valuable feedbacks.

THANK
YOU
☺