



**USER'S MANUAL**

**61-Key Lighting Electronic Keyboard Piano  
MU70009**

THIS INSTRUCTION BOOKLET CONTAINS **IMPORTANT** SAFETY INFORMATION. PLEASE READ AND KEEP FOR FUTURE REFERENCE.



**Please give us a chance to make it right and do better!**

Contact our friendly customer service department for help first.

Replacements for missing or damaged parts will be shipped ASAP!

**Follow Costway**



# Contact Us!

## Do NOT return this item.

Contact our friendly customer service department for help first.



## Before You Start

Please read all instructions carefully and keep it for future reference.

### Warning!

Attention: The Product is not suitable for the children under 3 years

Danger: Keep all small parts and packaging materials for this product away from babies and children, otherwise they may pose a choking hazard.



**WARNING:**  
**CHOKING HAZARD**-Small parts.  
Not for children under 3 years.

### General Warnings:

- △ The product must be installed and used under the supervision of an adult.
- △ Read through each step carefully and follow the proper order.
- △ Remove all packaging, separate and count all parts and hardware.
- △ Please ensure that all parts are correctly installed, incorrect installation can lead to a danger.
- △ We recommend that, where possible, all items are assembled near to the area in which they will be placed in use, to avoid moving the product unnecessarily once assembled.
- △ Ensure a secure surface during construction, and place the product always on a flat, steady and stable surface.

## NOTICE

Please read over the NOTICE before use!

### △ NOTICE

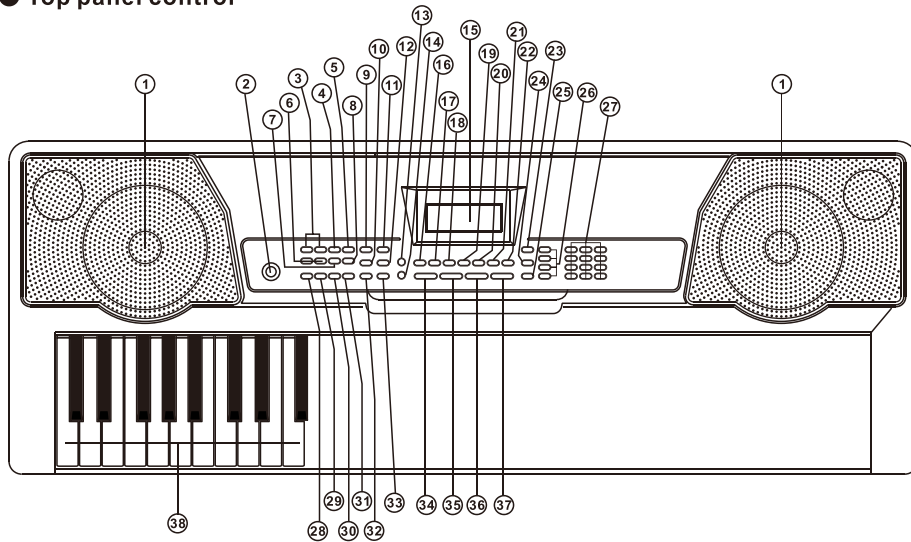
- Dedicated power adapter shall be used, and in case of adaptor damage, replace it immediately
- The keyboard can only be disassembled by professionals, and no change can be made to the internal structure. In case of any functional abnormality during performance, stop performing immediately and send the keyboard to professionals for maintenance.
- When connecting the keyboard to other device, ensure both the keyboard and the device to be connected are powered off before connection.
- Do not turn and keep the volume to the maximum or to an uncomfortable degree for a long time when performing
- Keep the keyboard away from heat source to protect its parts from damage.
- Prevent liquid, dust, small particle and other foreign matters from entering the case of the keyboard, for which may result in element short circuit.
- Pull out the plug before cleaning the keyboard, and do not pull out the plug with wet hand.
- Please use dry and soft cloth to clean the keyboard. Paint, alcohol or other chemical solvents shall not be used for cleaning, for which may damage the keyboard surface.
- Please pull out the plug after performing or when the keyboard is left unused for a long time.

## Package Contents

- \* 61-Key Lighting Electric Keyboard Piano with LCD Display X 1 pc
- \* Keyboard Stand X 1 pc
- \* Stool X 1 pc
- \* Power Adaptor X 1 pc
- \* Headphone X 1 pc
- \* Microphone X 1 pc
- \* Music Stand X 1 pc
- \* Installation Manual X 1 pc

## I. Panel Control and External Ports

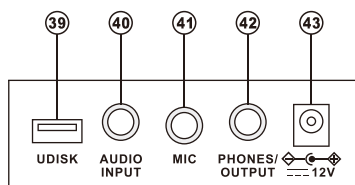
### ● Top panel control



- |                          |                       |                |                  |
|--------------------------|-----------------------|----------------|------------------|
| ① Loudspeaker            | ⑨ Sync                | ⑲ Play         | ⑳ Fingered Chord |
| ② Power                  | ⑩ Fill-in             | ⑳ Split        | ⑳ Chord Timbre   |
| ③ Previous/Next          | ⑪ Timbre              | ㉑ Sustain      | ㉑ Chord OFF      |
| ④ Play/Pause             | ⑫ Rhythm              | ㉒ Vibrato      | ㉒ Metronome      |
| ⑤ Stop                   | ⑬ Key Lighting        | ㉓ One Key      | ㉓ Start/Stop     |
| ⑥ MP3 Volume Control     | ⑭ Demo Song           | ㉔ Follow       | ㉔ Master Volume  |
| ⑦ Sequence/Random/Single | ⑮ LCD display         | ㉕ Ensemble     | ㉕ Accom Volume   |
| ⑧ Sound effect           | ⑯ Keyboard Percussion | ㉖ Memory       | ㉖ Tempo          |
|                          | ⑰ Recording           | ㉗ Numbers      | ㉗ Transpose      |
|                          | ⑱ Program             | ㉘ Single Chord | ㉘ Chord Zone     |

### MP3 Control

### ● Rear panel port



- ③⑨ UDISK
- ④⑩ AUDIO INPUT
- ④① MIC
- ④② PHONES/OUTPUT
- ④③ DC 12V

## II. Preparations before Playing

### ● Power adaptor

A dedicated power adaptor shall be used. Connect the output end of the adaptor to the power port on the rear panel of the keyboard, and then the other end to the power socket. (Note: the input voltage of the adaptor shall be compatible with the power supply voltage)

### ● Audio output / external headphone

◆ Audio output: Firstly, turn off the keyboard and the external audio devices, secondly, connect one end of the audio cable to the PHONES/OUTPUT port on the rear panel of the keyboard, and then connect the other end to the audio input port of the audio devices.

◆ Headphone connection: When connecting a headphone to the PHONES/OUTPUT port on the rear panel of the keyboard, the loudspeaker will be disabled automatically. In this way, you can play the keyboard without disturbing others.

※Note! When using the headphone, do not turn up and keep the volume to the maximum for a long time, which may cause hearing loss.

### ● Mic Input and Audio Input

◆ Mic input: Connect a microphone to the MIC port to start singing and playing.

◆ The Keyboard has the stereo input function. Sound signals from mobile phone, MP3 player, computer and other audio devices can be input into the keyboard system for playing. Firstly turn off the Keyboard, then, connect one end of audio cable to the output port of an audio device, and the other end to the AUDIO INPUT port on the rear panel of the Keyboard, finally, turn on the keyboard.

### ● Playing MP3 music

Insert a U disk into the UDISK port on the rear panel of the Keyboard for MP3 music playing. Support 32G (max.).

◆ Press the [ - ..... + ] bottom to adjust the volume.

◆ Press [ ⏪ ] to go to the previous track, press [ ⏩ ] to go to the next track, [ ⏸ ] play/pause a track, [ ■ ] stop a playing track, [ ↺/⌛/↻ ] to cycle through the repeat modes for continuous, random, or single playback.

◆ Press [Effect] to adjust the effect among Common, Pop, Rock, Jazz and Classic. The keyboard is defaulted to be in common effect.

## III. Basic Playing Method

Press [Power On/Off], and the keyboard will light up from both sides, and the LCD display will

turn on and show the current Tone, tempo and other status. Then you may operate the Keyboard as required.

### ● Key lighting

The Keyboard has luminous function, under the mode of playing, training and playing demo song, the light hint will be provided. The luminous function is defaulted to be enabled, press [KEY LIGHTING] to enable or disenable the luminous function.

### ● Master volume adjustment

Press [MASTER VOL +/-] to turn up or turn down the master volume. "VOLUME" and the current volume level will be shown on the display. Press [MASTER VOL +/-] simultaneously to reset to the default value.  
The master volume can also control the accompaniment volume.

### ● Accompaniment volume adjustment

Press [ACCOM VOL +/-] to turn up or turn down the master volume. "RC-VOLUME" and the current volume level will show on the display. Press [ACCOM VOL +/-] simultaneously to reset to the default value.

### ● Timbre selection

The Keyboard provides 255 timbres, from "000" to "254", for your selection. When turning on the keyboard, the timbre selection function will be enabled automatically, and "TONE" and current timbre number will show on the displays. When under other states, press [TIMBRE ] to enable the Tone selection function. The Tone is defaulted to be "000", and it can be adjusted by pressing the corresponding number buttons or pressing the "+" / "-" button.

### ● Playing Percussion

This Keyboard provides 61 kinds of keyboard percussions. Press [KEYBOARD PERCUSSION] to convert the key to percussion key. Each key corresponds to one percussion instrument. Press this button again to disenable the keyboard percussion function.

### ● Playing demonstration songs

50 demo songs have been stored in the Keyboard, from "000" to "049", for your selection. Press [DEMO SONG] to play all demonstration songs in order, the luminous key will flash to the melody, and "SONG" and current demo song number will show on the display. Press the number buttons or "+" / "-" buttons to select the demonstration song. When pressing [TIMBRE] during the demonstration song playing process, "TONE" will show on the display, press the number buttons or the "+" / "-" button within 3 seconds to select other Tones for playing the demonstration song.

Press [START / STOP] or press [DEMO SONG] again to stop playing the demonstration song.

## IV. Auto Rhythm

### ● Rhythm selection

This Keyboard provides 255 rhythms, from "000" to "254", for your selection, and the rhythm is defaulted to be "000". Press [RHYTHM] to enable the rhythm selection function. "RHYM" and current rhythm number will show on the display. Then you can press the number buttons or the "+" / "-" buttons to select other rhythms.

### ● Rhythm control

#### 1. Rhythm enabling

- ◆ Press [START/STOP] to start accompaniment rhythm.
- ◆ Press [SYNC], "SYN" will show on the display and the four beat points will flash

simultaneously, then play any key in the chord key zone (the 1st-19th key, from left), the accompaniment rhythm will be enabled.

#### 2. Interlude

After the accompaniment rhythm is activated, press [FILL-IN] to have a temporary rhythm play during the accompaniment rhythm. If press and hold [FILL-IN], the temporary rhythm will continue.

#### 3. Stop rhythm

※ During the accompaniment rhythm, press [START/STOP] to stop the accompaniment rhythm.

### ● Metronome

The metronome contains four tempos, 1/4, 2/4, 3/4 and 4/4, respectively. Press the [METRONOME] continuously to select the four tempos. Press the [METRONOME] button again to stop the tempo.

### ● Tempo adjustment

Press [TEMPO +/-] to increase or decrease the rhythm speed. Press the two buttons simultaneously to reset to the default value.

## V. Auto Bass Chord

### ● Single chord

Under the state that the rhythm is enabled, press [SINGLE CHORD], and "SIN" will show on the display, and then you can play a single chord on the keys in the chord zone of the keyboard.

### ● Fingered chord

Under the state that the rhythm is enabled, press the [FINGERED CHORD] button. "FIN" will

show on the display, and then you can play a fingered chord on the keys in the chord zone of the keyboard.

● **Chord OFF**

Press [CHORD OFF] to disenable the single chord or the fingered chord function.

**Single Chord Fingering**

	M	m	7	m7
C				
C#				
D				
D#				
E				
F				
F#				
G				
G#				
A				
A#				
B				

**Fingered Chord Fingering (C Key)**

(The C key fingered chord fingering is as shown in the following figure, and the rest can be obtained by analogy)

C	C <sub>6</sub>	CM <sub>7</sub>	CM(9)	Caug	Cm
Cm <sub>6</sub>	Cm <sub>7</sub>	Cm <sub>7</sub> (b5)	Cm(9)	CmM <sub>7</sub>	CmM <sub>7</sub> (9)
Cdim	Cdim <sub>7</sub>	C <sub>7</sub>	C <sub>7</sub> (b5)	Csus <sub>4</sub>	C1+2+5

● **Chord Timbre**

During single chord or fingered chord accompaniment, you can press [CHORD TIMBRE] to change the chord tone, and press [CHORD TIMBRE] again to resume the original chord tone.

**VI. Status memory function**

With the status memory function, you can save the tone, rhythm, tempo and other parameters to be changed during playing, for fast shifting. This keyboard is equipped with 3 status memories, which can be flexibly called at any time during playing.

● **Storage of status memory**

Set the tone, rhythm, tempo and chord as required, and then press the [MEMORY] button and one of [MEMORY 1] to [MEMORY 3] to save the current status.

● **Calling of status memory**

Press any one of [MEMORY 1] to [MEMORY 3] to call the setting parameters saved under this memory to replace the current status.

※ No power failure protection is provided for the saved contents, and the saved contents will loss after the electronic keyboard is restarted after power cut.

**VII. Effect Control**

● **Transposing function**

With the transposing function, you can play music of other tunes with C-tune fingering method. Press the [TRANPOSE-] to decrease the tone by half-tone (minor second), and the tune in C-tune keyboard zone will change to B-tune. Press the [TRANPOSE+] to increase the tone by half-tone (minor second), and the tune in C-tune keyboard zone will change to #C tune or bD tune. When pressing the [TRANPOSE-] for twice, C-tune will shift to bB-tune, when pressing the [TRANPOSE+] for five times, C-tune will shift to F-tune. Press [TRANPOSE+] and [TRANPOSE-] simultaneously to recover to C-tune "00". Press [TRANPOSE+] and [TRANPOSE-] to adjust the level from "P-6" to "P06".

● **Sustain function**

Press [SUSTAIN], "SUS" will show on the display, and the sustain effect will be activated. Press this button again to disenable the sustain effect.

● **Vibrato function**

Press [VIBRATO], "VIB" will show on the display, and the vibrato effect will be activated. Press this button again to disenable the vibrato effect.

### ● Keyboard splitting function

Press [SPLIT] to enable the keyboard splitting function, "SPLIT" will show on the display. 24 keys on the left of the keyboard will split with the remaining keyboard. While the left keyboard zone will increase by one octave and maintain the original tone, the right keyboard zone will decrease by one octave to maintain the same pitch with the left keyboard zone. The tone of the right keyboard zone can be set as needed so different tones can be played by the left and right keyboard zones at the same time. Press [SPLIT] again to disable this function.

## VIII. Recording and Rhythm Programming

### ● Recording

Press [REC] to enable the recording function, "REC" will show on the display. Under this mode all playing notes will be recorded. When the storage is full, "REC" will flash on the display, and recording will stop automatically.

◆ Press [PLAY] to playback the recorded notes, and "PLAY" will show on the display. On completion of playback, it will enter to the recording mode and "REC" will show on the display. You can record a new note, or you can press [PLAY] to playback the recorded note.

◆ Press [Start/Stop] or press [REC] again to disable the recording function, and all recorded rhythm will be removed.

### ● Rhythm programming

Press [PROG] to enable the rhythm programming function, "PRG" will show on the display, and the keyboard percussion will be activated. Under this mode, you can create custom rhythms by playing the corresponding percussion key.

◆ 32 percussions can be recorded at maximum, after that "PRG" will flash on the display, and programming will stop automatically.

◆ Press [PLAY] to playback the programming rhythm. Press [PLAY] again to stop playback, "PRG" will show on the display and programming function will be enabled. You can re-program rhythms or you can press [PLAY] again to playback.

◆ Press [START/STOP] or press [PROG] again to disable the programming function, and all recorded rhythm will be removed.

## IX. Luminous Key Three-step Intelligent Training

### ● Training I: One Key

Press [ONE KEY] to enable the One Key training function, "LEARN", "SONG" and the song number will show on the display, and then press "+" / "-" button to select the song to be learned.

The luminous keyboard will light on according to the main melody notes, indicating the note to be played, and you can perform by following the guidance of the lighted key.

Single Key training aims at duration learning, and there is no requirement for pitch or correctness. This mode allows mistakes when playing the keys, but the keyboards still plays correct notes, and the luminous keys will light on according to the correct notes while the key zone in the display will also show the correct notes.

After one song is finished, repeat the current song to be learned.

Press [Start/Stop] or press [ONE KEY] to disable the training function.

### ● Training II: Follow

Press [FOLLOW] to enable the follow function, "LEARN", "SONG" and the song number will show on the display, and then press "+" / "-" button to select the song to be learned.

With [FOLLOW] function, you can learn by following the correctly playing notes. You can play according to the demonstration song, the key will light on according to the melody notes, indicating the notes to be played, and you can play correctly by following the guidance. You can also learn how to play by following the indicators in the key zone of the display. It will wait for you to play the correct note before it moves to the next one.

※ Notes: Under this state, the Keyboard plays only the correct notes, and gives no response to the wrong notes.

Press [START/STOP] or press [FOLLOW] to disable the training function.

### ● Training III Ensemble

Press [ENSEMBLE] to enable the Ensemble training function, "LEARN", "SONG" and the song number will show on the display, and then press "+" / "-" button to select the song to be learned.

The Ensemble training aims at the correct and comprehensive learning of the song duration and notes. The keynote will be shielded for ensemble. The luminous keyboard will light on according to the main melody notes, indicating the note to be played, and you can perform by following the guidance of the lighted key. You need to play the correct note according to the correct duration of the song. If you fail to play within 3 seconds, the keyboard will automatically play the keynote, and the keyboard zone in the screen will display the correct note and tempo.

After one song is finished, repeat the current song to be learned.

Press [START/STOP] or press [ENSEMBLE] to disable the training function.



**Appendix**

**I. Timbre Table**

000-131	182 Soft Santur	(Muted)2
Refer to the nuit panel	183 Dual Horns 1	234 Multi Wind 2
132 Indian Flute 1	184 Hard Barsoon 1	235 Electric Vibraphone 2
133 Clavi 3	185 Tron Flute 1	236 Bodhran 2
134 Celesta 3	186 Kawala 1	237 Mellow Fm 2
135 Church Bells	187 Jazz Organ 1	238 Multi Reed 2
136 Marimba 3	188 Soft Accord 1	239 Contrabass 2
137 Dulcimer 2	189 Wind Organ 1	240 Barafon 2
138 Reed Organ 3	190 Viola Attack 1	241 Wind Organ 2
139 Electric Guitar (Clean)2	191 Bari & Tenor 1	242 12-str. Gt 2
140 Koto 2	192 Soft Sax 2	243 Attack Barafon 2
141 Xylophone 2	193 Attack Harp 2	244 Lead (Calliope)2
142 Shanai 2	194 Didgeridoo 2	245 Viola Attack 2
143 Dulcimer 3	195 Dual Horns 2	246 Pad (Warm)2
144 English Horn 2	196 Hard Barsoon 2	247 Oct Harp 2
145 Electric Guitar (Clean)3	197 Kawala 2	248 Bari & Tenor 2
146 Shamisen 2	198 Soft Guitar 2	249 Agogo 2
147 Koto 3	199 Mute Barafon 2	250 Flugel Horn 3
148 Kalimba 2	200 Lead (Bass+Lead)2	251 Organ Flute 3
149 Steel Bell 1	201 Melodic Tom 2	252 Fiddle 3
150 Alto Sax 2	202 Grow Guitar 2	253 Feedback Gt. 3
151 Woodblock 2	203 Lead (Sawtooth)2	254 Chorus Guitar 3
152 Synth Harpsi. 1	204 Jazz Bass 2	
153 Attack Clav. 1	205 Chorus Guitar 2	
154 Crystal 1	206 Feedback Gt. 2	
155 Bag Pipe 2	207 Fiddle 2	
156 Barafon 1	208 Organ Flute 2	
157 Organ Flute 1	209 Flugel Horn 2	
158 Kalimba 3	210 Crystal 2	
159 Reed Horn 1	211 Soft Clav. 2	
160 Hard Vibe 2	212 Overdriven Guitar 2	
161 Twin Trombones 1	213 Ukulele 2	
162 Synth Harpsi. 2	214 Tango Accordion 2	
163 Attack Clav. 2	215 Twin Trombones 2	
164 Chorus Guitar 1	216 Jazz Organ 2	
165 Steel Bell 2	217 Bright String 2	
166 Tsugaru	218 Reed Horn 2	
167 Oct Harp 1	219 Glockenspiel 2	
168 Bodhran 1	220 Drawbar Organ 2	
169 Tubular Bells 2	221 Muted Horn 2	
170 Suona	222 Pizzicato Strings 2	
171 Castanets	223 Nay 2	
172 Attack Harp 1	224 Puff Harmonica 2	
173 Electric Vibraphone 1	225 Muted Trumpet 2	
174 Soft Sax 1	226 Upright Piano 2	
175 Soft Clav. 1	227 Soft Accord 2	
176 Soft Guitar 1	228 Uilleann Harp 2	
177 Grow Guitar 1	229 Tron Flute 2	
178 Didgeridoo 1	230 Blown Bottle 2	
179 Attack Barafon 1	231 Indian Flute 2	
180 Mute Barafon 1	232 Slow Violin 2	
181 Nay 1	233 Electric Guitar	

**II. Rhythm Table**

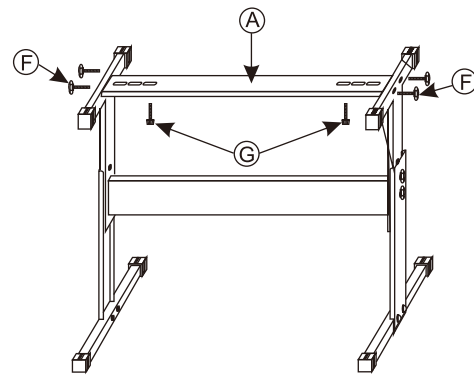
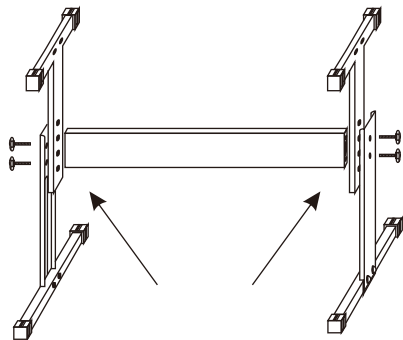
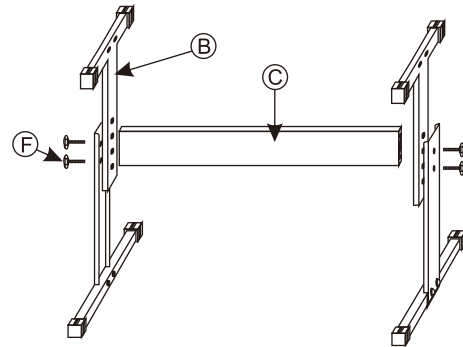
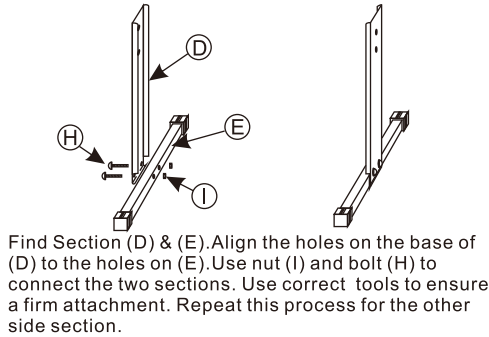
000-155	196 Rock Disco 1	238 Analog Ballad 3
Refer to the nuit panel	197 16 Beat Shuffle 1	239 Europe Swing 2
156 USA March	198 Jazz 8 Beat 2	240 Hip Waltz 2
157 Espag Nol 2	199 Casa	241 Jazz Swing 2
158 Club Latin 2	200 Guad Dance 1	242 Party Pop
159 Jazz Cha Cha 1	201 Jazz Cha Cha 2	243 Jazz Club
160 Country Cha Cha	202 Country Waltz	244 Guad Dance 2
161 Disco Party 2	203 European Rock 2	245 Jazz Bo 2
162 Modern R&B 1	204 Caribbean Dance 2	246 Dixie Jazz 2
163 8 Beat Pop 2	205 Jazz Disco 2	247 Acoustic Ballad 2
164 Country Jazz	206 Medium Jazz	248 Jazz Slow Rock
165 Soul Rock 1	207 Piano Ballad	249 16 Beat Shuffle 2
166 Rumba 2	208 70's Disco	250 Polka Pop
167 Samba 3	209 Jazz Rock 2	251 Latin Party Pop
168 Modern R&B 2	210 Europe 8 Beat 1	252 Parranda
169 Club Dance 2	211 Seville 2	253 Carnival
170 Country Bossa Nova	212 Rumba 3	254 60's Vintage Pop
171 Jazz Bo 1	213 Soul Rock 2	
172 Modern Cha Cha 1	214 European Disco 2	
173 Pop Reggae 2	215 Analog Ballad 2	
174 Rock Samba 1	216 Pub Piano 2	
175 Jazz 8 Beat 1	217 Europe Rumba	
176 Disco	218 Rock'n Roll 2	
177 Seville 1	219 Disco Trop	
178 Disco Hands 2	220 Rock Salsa 1	
179 Rock Ballad	221 Europe 8 Beat 2	
180 Mixed Bossa Nova	222 Europe Samba	
181 Jazz 16 Beat 1	223 Show Tune 2	
182 Single 16 Beat 1	224 Jazz 16 Beat 2	
183 Love Song	225 Rock Samba 2	
184 Single 16 Beat 2	226 Jazz Waltz 2	
185 Disco Fox 2	227 Europe Reggae	
186 Pop Rock 3	228 Modern Cha Cha 2	
187 Tijuana Waltz	229 R&B Ballad 2	
188 British Pop 2	230 Rock Boogie	
189 Show Tune 1	231 Jazz Bossa Nova	
190 Schlager Alp	232 Rock Salsa 2	
191 Single Rock	233 Slow & Easy	
192 Swing Waltz	234 Hip Waltz 1	
193 Slow Waltz	235 Jazz Latin 2	
194 Cat Groove 2	236 Rock Disco 2	
195 Country Slow Rock	237 Jazz Tango 2	

# Assembly Instruction of Keyboard Stand

ATTENTION: ADULT ASSEMBLY REQUIRED

## H TYPE STAND

A		X 1
B		X 2
C		X 1
D		X 2
E		X 2
F		X 8
G		X 2
H		X 4
I		X 4



Welcome to visit our website and purchase our quality products!

With your inspiring rating, COSTWAY will be more consistent to offer you EASY SHOPPING EXPERIENCE, GOOD PRODUCTS and EFFICIENT SERVICE!

US office: Fontana, California

UK office: Ipswich



- \* Reward Points
- \* Exclusive Customer Service
- \* Personalized Recommendations
- \* Permanent Shopping Cart
- \* Order History

5 Star Rating



We would like to extend our heartfelt thanks to all of our customers for taking time to assemble this product and giving us valuable feedbacks.

THANK YOU