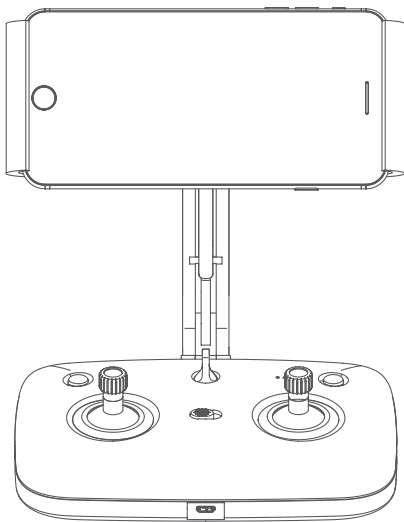


CHASING DORY

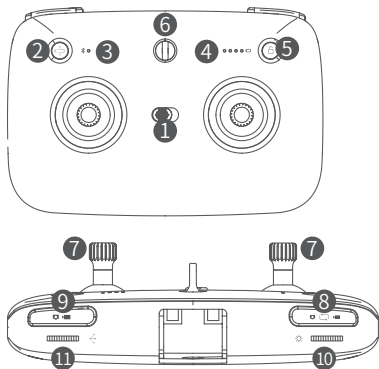
Conquer the Waters



Remote Controller Manual

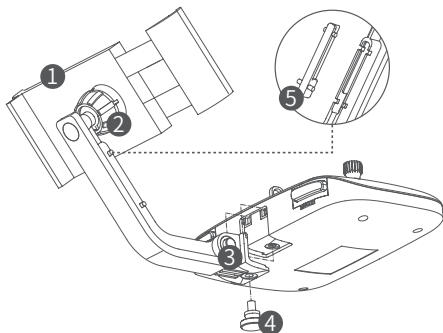
Remote controller

The remote controller is used to control the drone. It connects wirelessly via Bluetooth to your mobile phone/tablet. The remote controller's phone/tablet mount supports devices ranging from 5 inches to 10.5 inches.



- ① Power Switch: Turns controller on/off.
- ② Mode Switch: Depth-lock mode is default and unique for Dory, so you do not need to press it.
- ③ Bluetooth Indicator: Light is solid on when Bluetooth is connected. Light flashes when not connected or when charging.
- ④ Power Indicator: Each LED represents 25% of the controllers battery. When all four lights are on the battery is fully charged.
- ⑤ Unlock/Lock: Unlock/Lock the motors.
- ⑥ Lanyard Attachment: If desired, a safety lanyard can be attached here to prevent the controller from falling
- ⑦ Joysticks: Used to control the navigation of the drone.
- ⑧ Video/Photo Mode: Press to switch between video and photo mode.
- ⑨ Video/Photo : Press to start/stop video recording or take photo.
- ⑩ LED Light Control: Scroll right/left to increase/decrease brightness of LED lights.
- ⑪ Angle Adjustment: Scroll right/left to raise/lower the head of the drone. Press dial down to return to horizontal position.

Phone/Tablet Mount



- ① Phone/Tablet Mount: Supports devices from 5 inches to 10.5 inches.
- ② Adjustable Nut A: Used to attach phone/tablet mount to mounting bracket.
- ③ Adjustable Nut B: Used to adjust mounting bracket angle.
- ④ Adjustable Nut C: Used to secure mounting bracket to controller.
- ⑤ Built-in Tool: Stored in bracket arm and used to tighten/ loosen Adjustable Nut B.

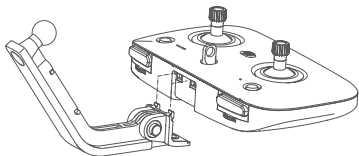
▲ Note: Tool can be removed from bracket arm by either set of points.

Specifications

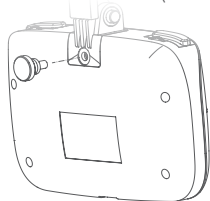
| | |
|--|------------------|
| Working Frequency | 2. 4GHz-2.480GHz |
| Wireless Distance (Between smart device and controller) | <10m |
| Charging Time | 1h |
| Battery Life | 5h |

Phone/Tablet Mount Assembly

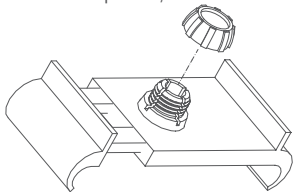
- 1 Insert the mounting bracket into the mounting slot on the back of the controller.



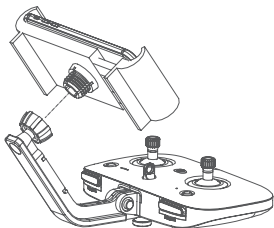
- 2 Insert and tighten mounting bracket screw (M5*8).



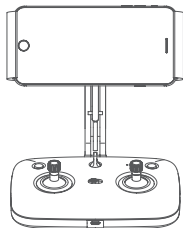
- 3 Remove the nut on the back of the phone/tablet mount.



- 4 Place nut over mounting bracket swivel ball. Then snap mounting bracket onto phone/tablet mount and tighten nut.



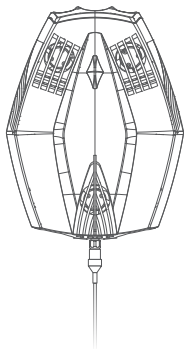
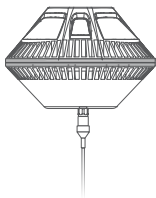
- 5 Insert phone/tablet and adjust to desired position.



Connection Tutorial

1 Turn on Dory and Connect Wi-Fi

When the Dory is turned on, use your phone or tablet to connect to the Dory_xxxx WiFi.

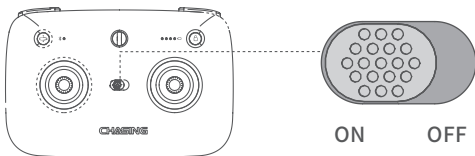


2 Turn on Bluetooth

On phone/tablet, go to Bluetooth settings and make sure it is set to the ON position.

3 Turn on Controller

Turn the controller's power switch to the ON position. The Bluetooth indicator flashes and the battery indicator lights turn on.

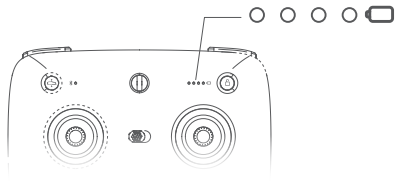


4 Connecting Controller and Mobile Phone

Open the app, make sure app's permission is open. A Bluetooth connection interface will pop up. Select the device name and click the 'select' button. Check the Bluetooth indicator on the controller for connection status. A solid ON light indicates a successfully connection.

Charging Guide

Plug in the 5V USB charging cable and recommend to charge for 1 hour. When the battery is fully charged, the 4-state battery indicator are all light up.



Turn Remote Controller ON to view charging status. When Charging, the Remote Controller's Bluetooth indicator light will continue to flash while the Power Status Indicator lights will turn on as charge increases. Each light represents 25% of the controllers battery is fully charged.

⚠ Notices

- 1) You need to turn on the remote controller to check the battery indicators when charging.
- 2) The adapter output voltage must be 5V to avoid damaging the remote controller.
- 3) Do not put the remote controller in the water to avoid damaging the device.
- 4) Remote control bracket, remote control water damage or appearance damage is out of warranty.

CHASING

www.chasing.com
support@chasing-innovation.com