

**Manuals+**

User Manuals Simplified.



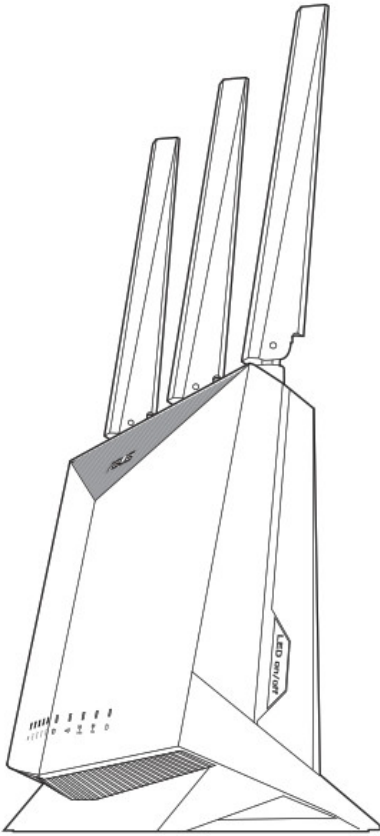
# ASUS RT-AX86S Wireless-AX5700 Dual Band Router User Guide

February 5, 2022 February 7, 2022

[Home](#) » [Asus](#) » ASUS RT-AX86S Wireless-AX5700 Dual Band Router User Guide 📄

# ASUS

RT-AX86S  
Wireless-AX5700 Dual Band Router  
Quick Start Guide



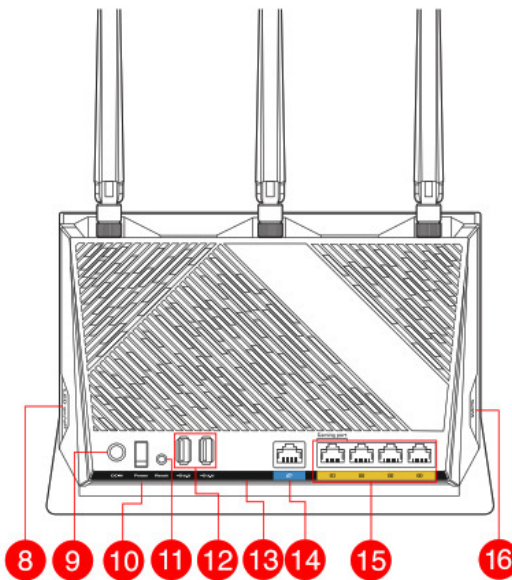
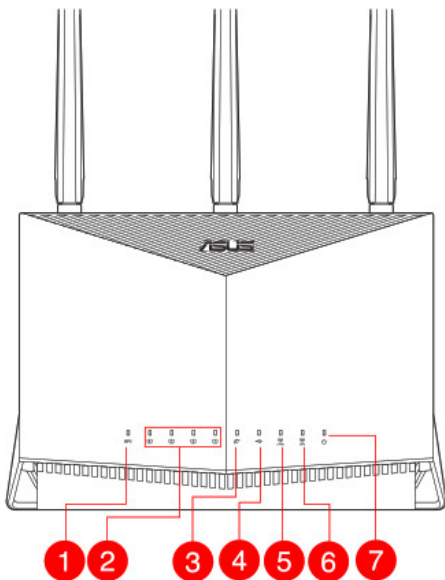
## Contents [ [hide](#) ]

- [1 Package contents](#)
- [2 Position your wireless router](#)
- 3 NOTES:**
- [4 Preparing your modem](#)
- [5 Setting up your RT-AX86S](#)
- [6 FAQ](#)
- [7 Documents / Resources](#)
  - [7.1 Related Manuals / Resources](#)

## Package contents

- RT-AX86S Wireless Router
- Network cable (RJ-45)
- AC adapter
- Quick Start Guide

A quick look at RT-AX86S



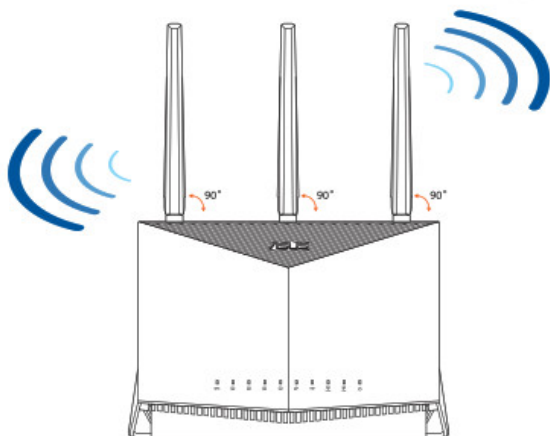
1. WPS LED
2. LAN 1-4 LEDs
3. WAN (Internet) LED
4. USB LED
5. 2.4GHz LED
6. 5GHz LED
7. Power LED
8. LED on/off button

9. Power (DC-IN) port
10. Power button
11. Reset button
12. USB 2.0 port
13. USB 3.0 port
14. WAN (Internet) port
15. LAN 1 — 4 ports
16. WPS button

### Position your wireless router

For optimal wireless transmission between the wireless router and connected wireless devices, ensure that you:

- Place the wireless router in a centralized area for maximum wireless coverage for the network devices.
- Keep the wireless router away from metal obstructions and away from direct sunlight.
- Keep the wireless router away from 802.11g or 20MHz only Wi-Fi devices, 2.4GHz computer peripherals, Bluetooth devices, cordless phones, transformers, heavy-duty motors, fluorescent lights, microwave ovens, refrigerators, and other industrial equipment to prevent signal interference or loss.
- Always update to the latest firmware. Visit the ASUS website at <http://www.asus.com> to get the latest firmware updates.
- Orient the antennas as shown in the drawing below.



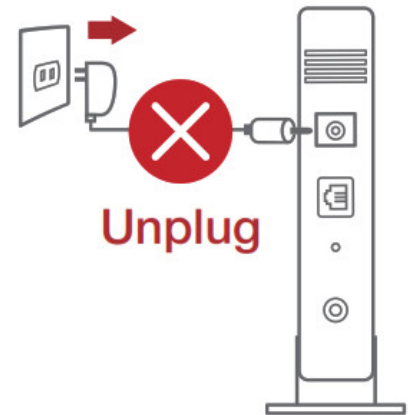
### NOTES:

Use only the adapter that came with your package. Using other adapters may damage the device.

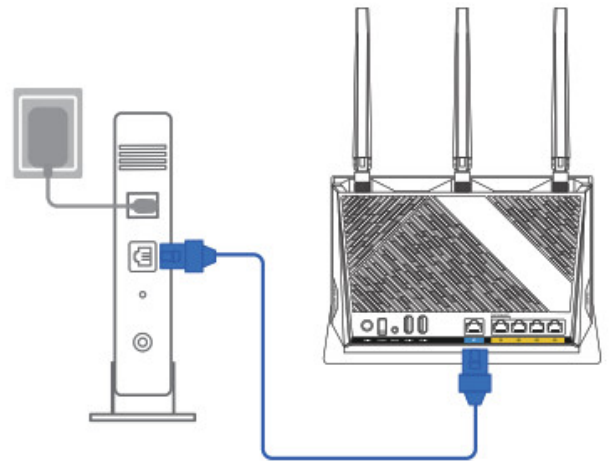
- Specifications:

DC Power adapter	DC Output: +12V with 3A current +19.5V with 2.31A current		
Operating Temperature	0~40°C	Storage	0~70°C
Operating Humidity	50~90%	Storage	20~90%

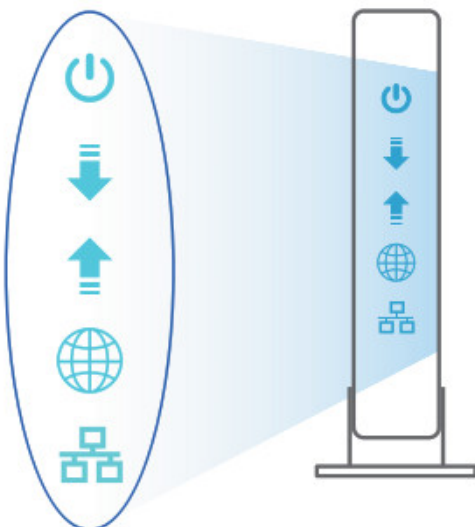
## Preparing your modem



1. Unplug the power cable/DSL modem. If it has a battery backup, remove the battery.



2. Connect your modem to the router with the bundled network cable.
3. Power on your cable/DSL modem.
4. Check your cable/DSL modem LED lights to ensure the connection is active.

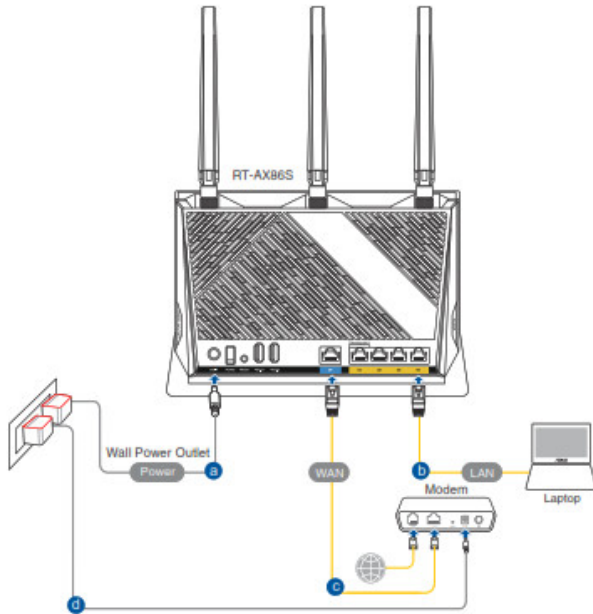


## Setting up your RT-AX86S

You can set up your router via a wired or wireless connection.

### A. Wired connection

1. Plug your router into a power outlet and power it on. Connect the network cable from your computer to a LAN port on your

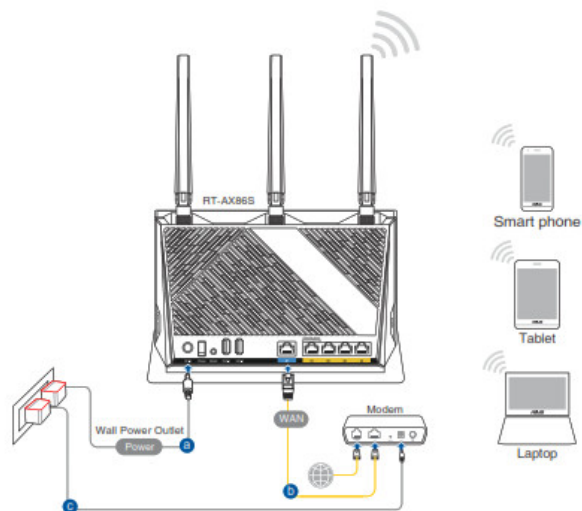


router.

2. The web GUI launches automatically when you open a web browser. If it does not auto-launch, enter <http://router.asus.com>.
3. Set up a password for your router to prevent unauthorized access.



## B. Wireless connection



1. Plug your router into a power outlet and power it on.
2. Connect to the network with the SSID shown on the product label on the backside of the router. For better network security,



Wi-Fi Name (SSID): ASUS\_XX

change to a unique SSID and assign a password.

\*XX refers to the last two digits of the 2.4GHz MAC address. You can find it on the label on the back of your router.

3. You can choose either the web GUI or ASUS Router app to set up your router.

#### a. Web GUI Setup

- Once connected, the web GUI launches automatically when you open a web browser. If it does not auto-launch, enter <http://router.asus.com>.
- Set up a password for your router to prevent unauthorized access.



#### b. App Setup

Download ASUS Router App to set up your router via your mobile devices.

- Turn on Wi-Fi on your mobile devices and connect to your router's network.
- Follow ASUS Router App setup instructions to complete the setup.



Remembering your wireless router settings

- Remember your wireless settings as you complete the router setup.

Router Name:

Password:

2.4 GHz network SSID:

Password:

5GHz network SSID:

Password:

## FAQ

1. Where can I find more information about the wireless router?

- Online FAQ site: <https://www.asus.com/support/>
- Technical support site: <https://www.asus.com/support>
- Customer hotline: refer to the Support Hotline section in this Quick Start Guide
- You can get the user manual online at <https://www.asus.com/support>

## Documents / Resources



[ASUS RT-AX86S Wireless-AX5700 Dual Band Router](#) [pdf] User Guide  
RT-AX86S, Wireless-AX5700 Dual Band Router

## Related Manuals / Resources



### [ASUS CT8 Wireless AC3000 Tri Band Gigabit Router User Guide](#)

ASUS ZenWiFi AC Wireless AC3000 Tri-band Gigabit Router Model: CT8 FAST Networking Solutions FARTHEST • EASY • SECURE...



### [Wireless-N Router WNR2000 Setup Manual](#)

Wireless-N Router WNR2000 Setup Manual - Optimized PDF Wireless-N Router WNR2000 Setup Manual - Original PDF



### [ASUS RT-AX86S Dual Band WiFi 6 Gaming Router User Manual](#)

RT-AX86S Dual Band WiFi 6 Gaming Router, WiFi 6 802.11ax, Mobile Game Mode, Lifetime Free Internet Security, Mesh...



### [ASUS CD6R ZenWifi AC Mini Wireless AC1500 Dual Band Gigabit Router User Guide](#)

ASUS CD6R ZenWifi AC Mini Wireless AC1500 Dual Band Gigabit Router ASUS ZASUS ZenWenWiFi Ai AC MC Mini...

## [Manuals+](#)

- [home](#)
- [privacy](#)